

Article datasheet

## Blind Nut M5 Panel Thk. Range 0.8-5.8mm Neoprene black

Article-No.: 002.13.152

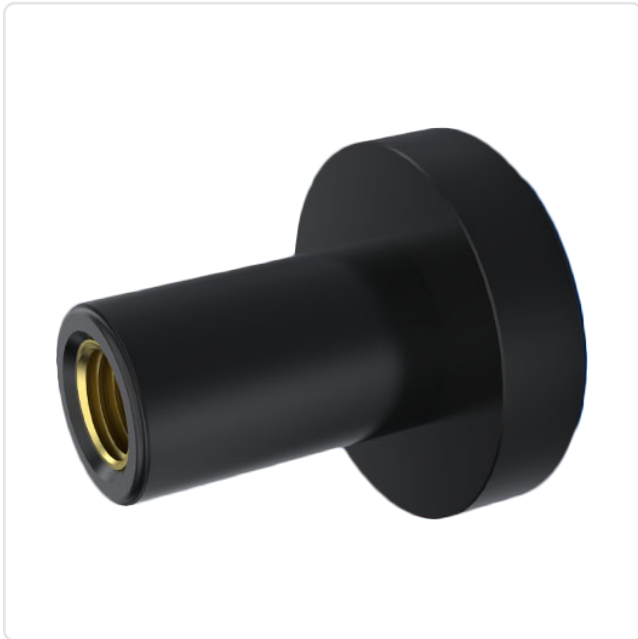




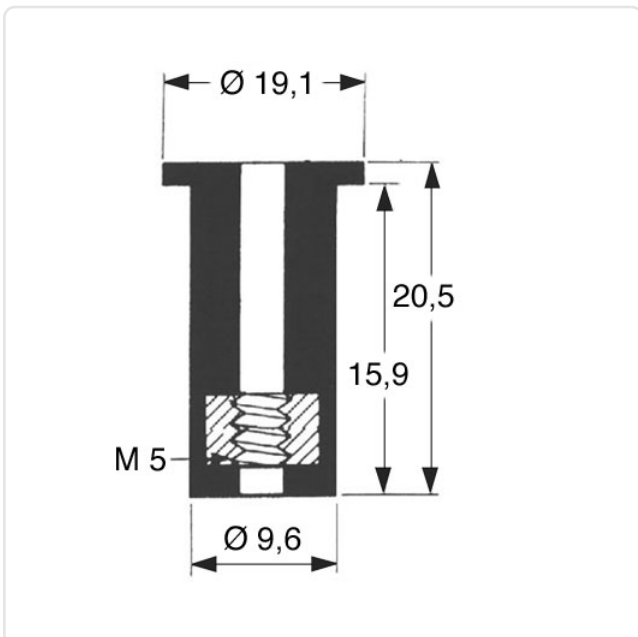
Image may be similar

AF / OD [mm]:	19.1
Color:	Black
Height [mm]:	20.5
Material:	CR - Polychloroprene
Material Group:	Plastic
Mounting Hole [mm]:	10
Panel Thickness Range [mm]:	0,8-5,8
Thread Size:	M5
Weight:	3.65g
Conformities:	  



You can find all information on the web on our article detail page

[Blind Nut M5 Panel Thk. Range 0.8-5.8mm Neoprene black](#)



Would you like individual advice?

We look forward to your email to [products@ettinger.de](mailto:products@ettinger.de).

Subject to change and errors.