

Article datasheet

## THM Test Point Ø1.8 blue Phosphor Bronze Silver-Plated

Article-No.: 013.08.516

Manufacturer: Keystone Electronics

Manufacturer article-no.: 5122



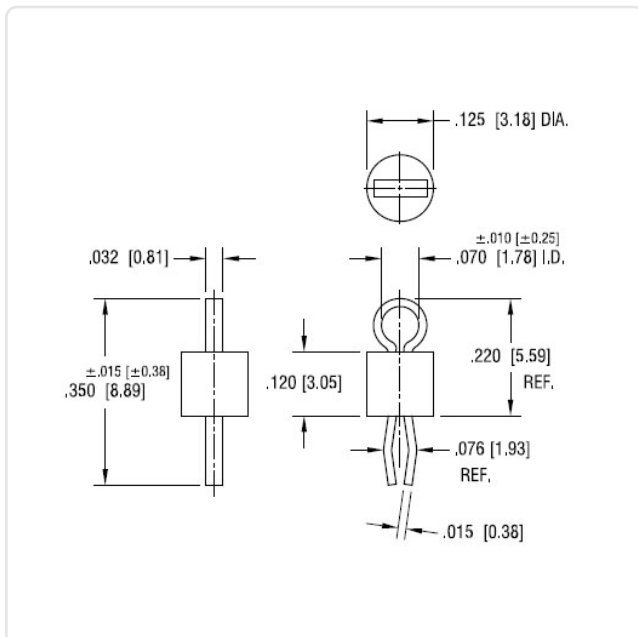
Image may be similar

Color: Blue  
 Diameter [mm]: 1.8  
 Finish: Silver-Plated  
 Height [mm]: 5.6  
 Insulation: Polyamide  
 Material: Phosphor Bronze  
 Material Group: Phosphor Bronze  
 PCB Hole Ø [mm]: 1.6  
 Weight: 0.07g  
 Conformities:



You can find all information on the web on our article detail page

[THM Test Point Ø1.8 blue Phosphor Bronze Silver-Plated](#)



Would you like individual advice?

We look forward to your email to [products@ettinger.de](mailto:products@ettinger.de).

Subject to change and errors.