

Article datasheet

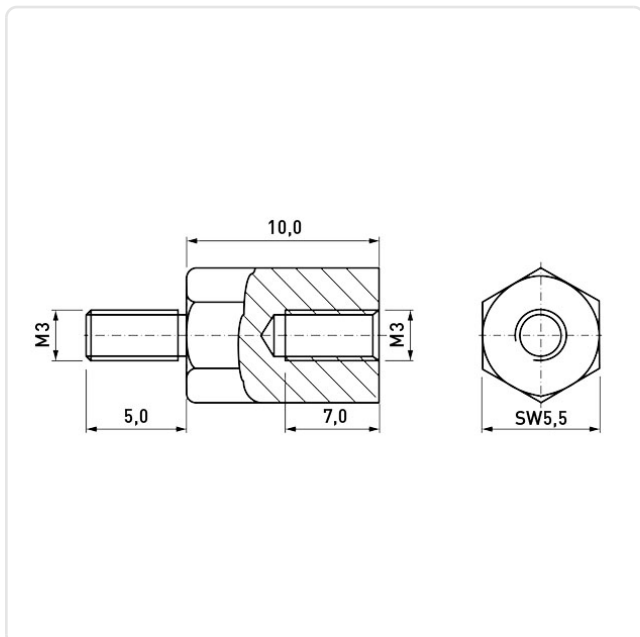
Standoff Nickel-Plated Brass M/F AF5.5x10 F=M3x7 M=M3x5 w/ Undercut

Article-No.: 005.13.100



Image may be similar

AF / OD [mm]:	5.5
Female Thread Length [mm]:	7
Female Thread Size:	M3
Finish:	Nickel-Plated, 3 µm, E1E
Length [mm]:	10
Male Thread Length [mm]:	5
Male Thread Size:	M3
Material:	Brass CW510L / CuZn42
Material Group:	Brass
Profile:	Hexagonal
Undercut:	NULL
Weight:	1.95g
Conformities:	



You can find all information on the web on our article detail page

[Standoff Nickel-Plated Brass M/F AF5.5x10 F=M3x7 M=M3x5 w/ Undercut](#)

Would you like individual advice?

We look forward to your email to products@ettinger.de.

Subject to change and errors.