

Article datasheet

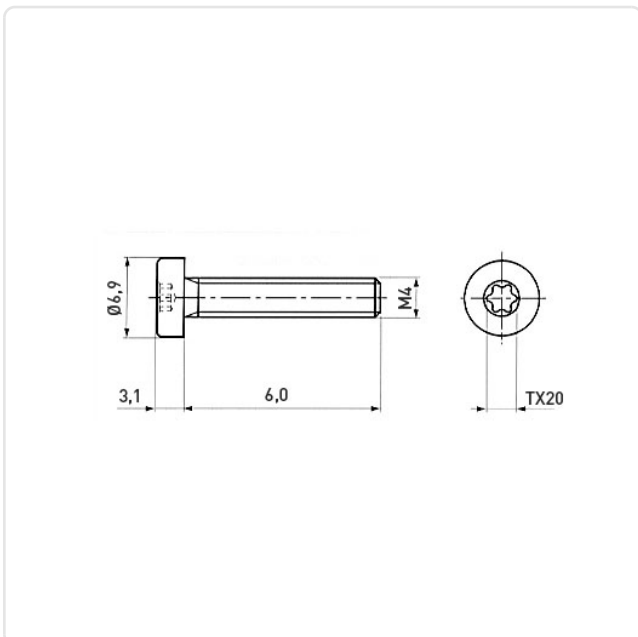
## Socket Head Screw ISO14580 M4x6 Stainless Steel A2 Hexalobular

Article-No.: 001.63.422



Image may be similar

Actuator Size:	Torx T20
DIN/ISO:	ISO14580
Drive Type:	TORX
Finish:	Plain
Head Diameter [mm]:	7
Head Height [mm]:	3.1
Head Shape:	Flat Cheese Head
Length [mm]:	6
Material:	Stainless Steel AISI 304 / A2
Material Group:	Stahl rostfrei
Thread Size:	M4
Weight:	1.05g
Conformities:	



You can find all information on the web on our article detail page

[Socket Head Screw ISO14580 M4x6  
Stainless Steel A2 Hexalobular](#)

Would you like individual advice?

We look forward to your email to [products@ettinger.de](mailto:products@ettinger.de).

Subject to change and errors.