

Article datasheet

## THM Test Point Ø2.5 Phosphor Bronze Silver-Plated

Article-No.: 013.08.589

Manufacturer: Keystone Electronics

Manufacturer article-no.: 5023



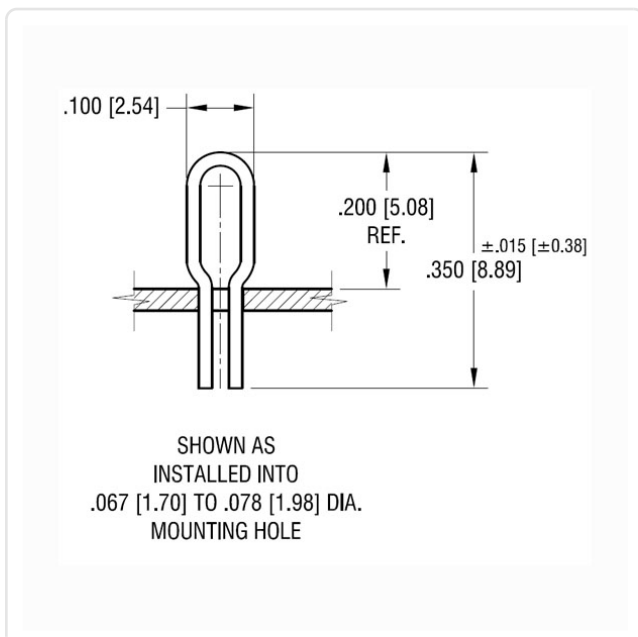
Image may be similar

Diameter [mm]: 2.5  
 Finish: Silver-Plated  
 Height [mm]: 5.1  
 Material: Phosphor Bronze  
 Material Group: Phosphor Bronze  
 PCB Hole Ø [mm]: 2  
 Weight: 0.04g  
 Conformities:



You can find all information on the web on our article detail page

[THM Test Point Ø2.5 Phosphor Bronze Silver-Plated](#)



Would you like individual advice?

We look forward to your email to [products@ettinger.de](mailto:products@ettinger.de).

Subject to change and errors.