

Article datasheet

PCB Support 35.7 | M3.5 | ø4.0 Polyamide 6.6 natural

Article-No.: 006.04.357



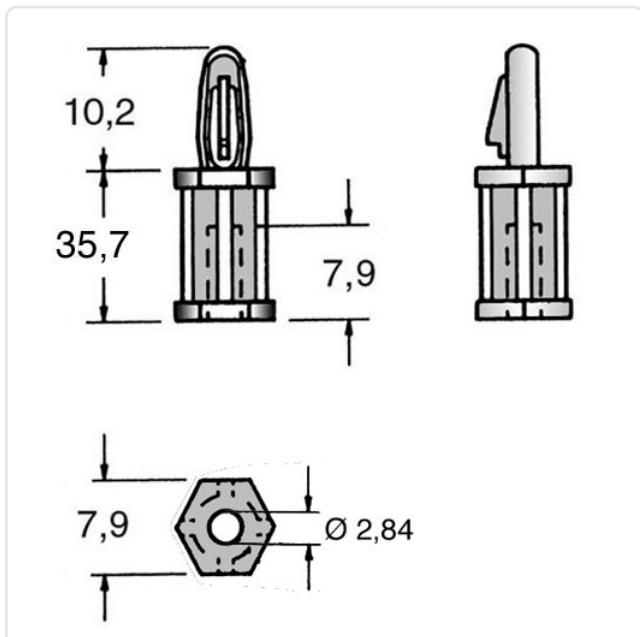
Image may be similar

Color: Natural
 Flammability Class: UL94-V0
 Length [mm]: 35.7
 Material: PA 6.6
 Material Group: Plastic
 PCB Hole Ø [mm]: 4
 PCB Thickness [mm]: 1,6
 Thread Size: M3.5
 Weight: 1.16g
 Conformities:



You can find all information on the web on our article detail page

[PCB Support 35.7 | M3.5 | ø4.0 Polyamide 6.6 natural](#)



Would you like individual advice?

We look forward to your email to products@ettinger.de.

Subject to change and errors.