

Article datasheet

Combination Nut M8 Galv. Steel Rotatable Contact Washer

Article-No.: 002.09.218

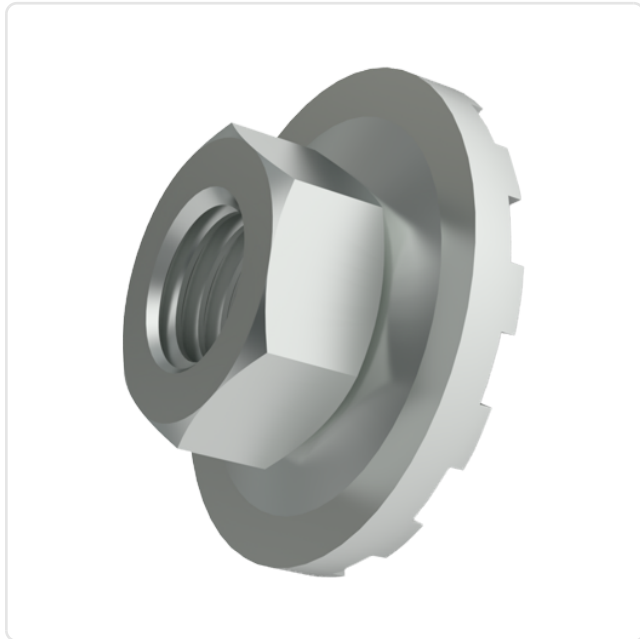
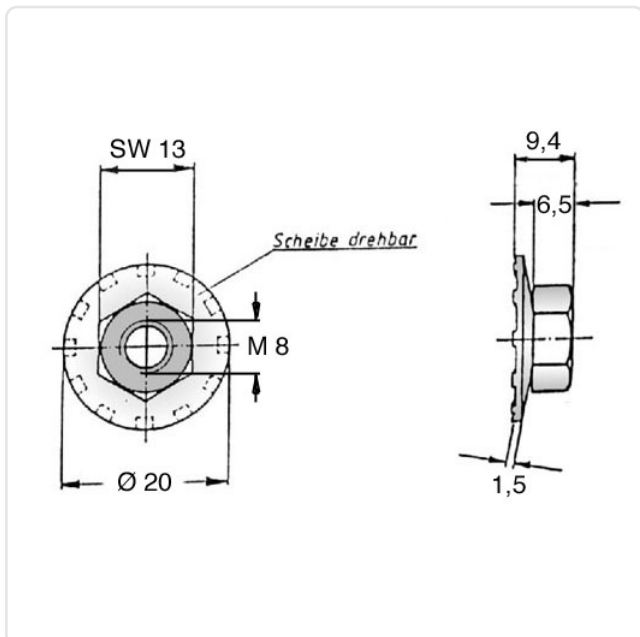


Image may be similar

AF / OD [mm]: 13
 Finish: Galvanized, Blue, 5 µm, A2K
 Height [mm]: 9.4
 Material: Steel lead-free
 Material Group: Steel
 Thread Size: M8
 Weight: 7.81g
 Conformities:



You can find all information on the web on our article detail page [Combination Nut M8 Galv. Steel Rotatable Contact Washer](#)



Would you like individual advice?

We look forward to your email to products@ettinger.de.

Subject to change and errors.