

Article datasheet

Set Screw DIN551/ISO4766 M3x12 PA-66 Natural Slotted Flat Point

Article-No.: 001.40.356



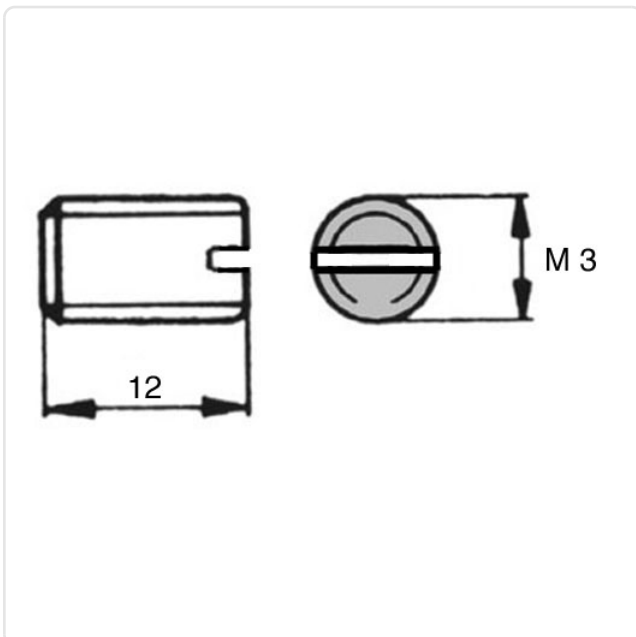
Image may be similar

Color: Natural
 DIN/ISO: ISO4766
 Drive Type: Slotted
 Flammability Class: UL94-V2
 Length [mm]: 12
 Material: PA 6.6
 Material Group: Plastic
 Point Type: Flat Point
 Thread Size: M3
 Weight: 0.05g
 Conformities:



You can find all information on the web on our article detail page

[Set Screw DIN551/ISO4766 M3x12 PA-66 Natural Slotted Flat Point](#)



Would you like individual advice?

We look forward to your email to products@ettinger.de.

Subject to change and errors.