

Article datasheet

Cable Tie Releasable 4.6 x 172 - nature

Article-No.: 072.56.421

Manufacturer: Panduit

Manufacturer article-no.: SST2S-M

PANDUIT™



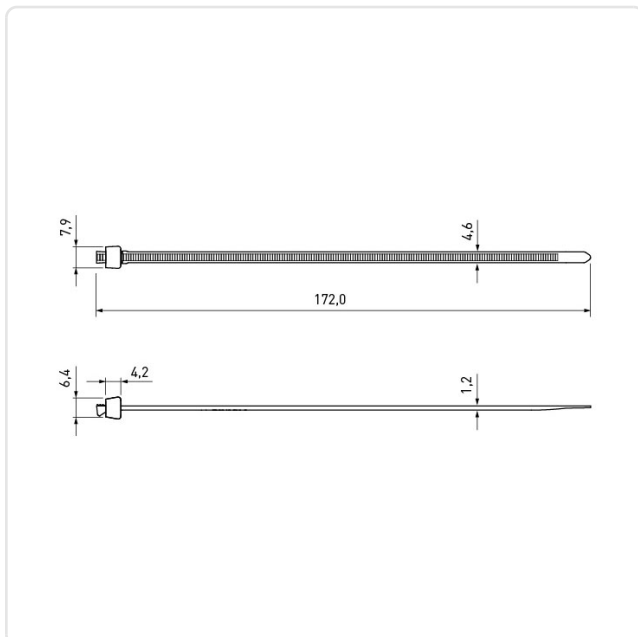
Image may be similar

Bundle Diameter [mm]: 21,0-50,0
 Color: Natural
 Flammability Class: UL94-V2
 Length [mm]: 172
 Material: PA 6.0
 Material Group: Plastic
 Model: Releasable
 Width [mm]: 4.6
 Weight: 1.06g
 Conformities:



You can find all information on the web on our article detail page

[Cable Tie Releasable 4.6 x 172 - nature](#)



Would you like individual advice?

We look forward to your email to products@ettinger.de.

Subject to change and errors.