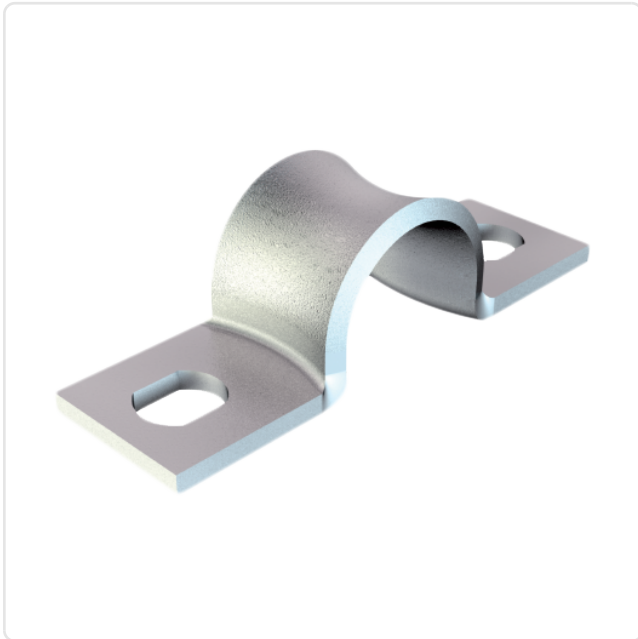


Article datasheet

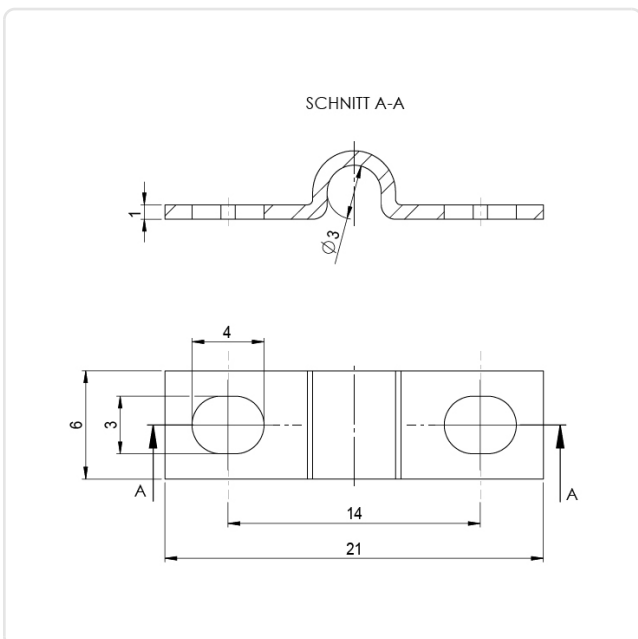
## Cable Clamp Two-Sided Fastening $\varnothing$ 3.0 | Hole $\varnothing$ 3.2 | Galvanized Steel

Article-No.: 014.42.631



Bundle Diameter [mm]:	3
Distance Middle/Middle [mm]:	14
Finish:	Galvanized, Blue, 5 $\mu$ m, A2K
Length [mm]:	21
Material:	Steel lead-free
Material Group:	Steel
Model:	SN78550 B
Mounting Hole [mm]:	3.2
Thickness [mm]:	0.8
Width [mm]:	6
Weight:	0.69g
Conformities:	<div style="display: flex; justify-content: space-around; align-items: center;"> <div style="border: 1px solid green; padding: 2px; text-align: center; color: green; font-size: 8px;">SVHC COMPLIANT</div> <div style="border: 1px solid green; padding: 2px; text-align: center; color: green; font-size: 8px;">Reach COMPLIANT</div> <div style="border: 1px solid green; padding: 2px; text-align: center; color: green; font-size: 8px;">RoHS COMPLIANT</div> </div>

Image may be similar



You can find all information on the web on our article detail page

[Cable Clamp Two-Sided Fastening  \$\varnothing\$  3.0 | Hole  \$\varnothing\$  3.2 | Galvanized Steel](#)

Would you like individual advice?

We look forward to your email to [products@ettinger.de](mailto:products@ettinger.de).

Subject to change and errors.