

Article datasheet

Spring Washer DIN137 A Ø2.8/5.5 x 0.3 A1 Plain Stainless Steel

Article-No.: 003.22.029



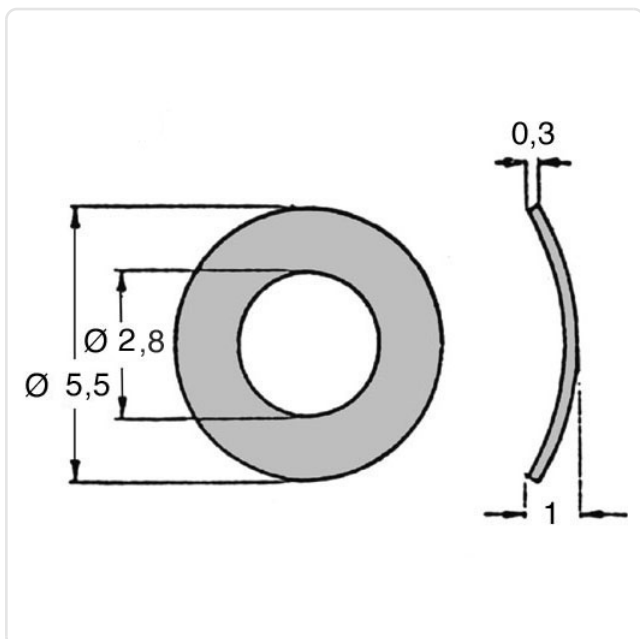
Image may be similar

DIN/ISO:	DIN137A
Finish:	Plain
For Thread Size:	M2.5
Height [mm]:	0.3
Inner Diameter [mm]:	2.8
Material:	Stainless Steel AISI 303 / A1
Material Group:	Stahl rostfrei
Outer Diameter [mm]:	5.5
Weight:	0.04g
Conformities:	<div style="display: flex; gap: 10px;"> <div style="border: 1px solid black; padding: 2px; text-align: center;">SVHC COMPLIANT ✓</div> <div style="border: 1px solid black; padding: 2px; text-align: center;">Reach COMPLIANT ✓</div> <div style="border: 1px solid black; padding: 2px; text-align: center;">RoHS COMPLIANT ✓</div> </div>



You can find all information on the web on our article detail page

[Spring Washer DIN137 A Ø2.8/5.5 x 0.3 A1 Plain Stainless Steel](#)



Would you like individual advice?

We look forward to your email to products@ettinger.de.

Subject to change and errors.