

Article datasheet

Harness Wrap 10 -40, PE, natural, 25m roll

Article-No.: 014.75.131

Manufacturer: SES-Sterling

Manufacturer article-no.: 0819 0003 018

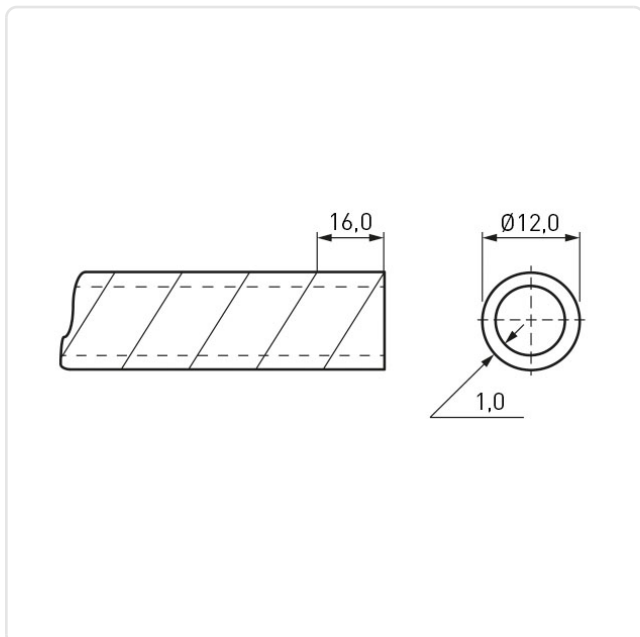


Image may be similar

Bundle Diameter [mm]: 10,0-40,0
Color: Natural
Material: PE - Polyethylene
Material Group: Plastic
Reel Length [m]: 25
Shrink Ratio: Spiralschlauch
Weight: 1011g
Conformities:



You can find all information on the web on our article detail page
[Harness Wrap 10 -40, PE, natural, 25m roll](#)



Would you like individual advice?

We look forward to your email to products@ettinger.de.

Subject to change and errors.