

Article datasheet

Clamping Bracket Type G M3 Nickel-Plated Brass

Article-No.: 003.32.323

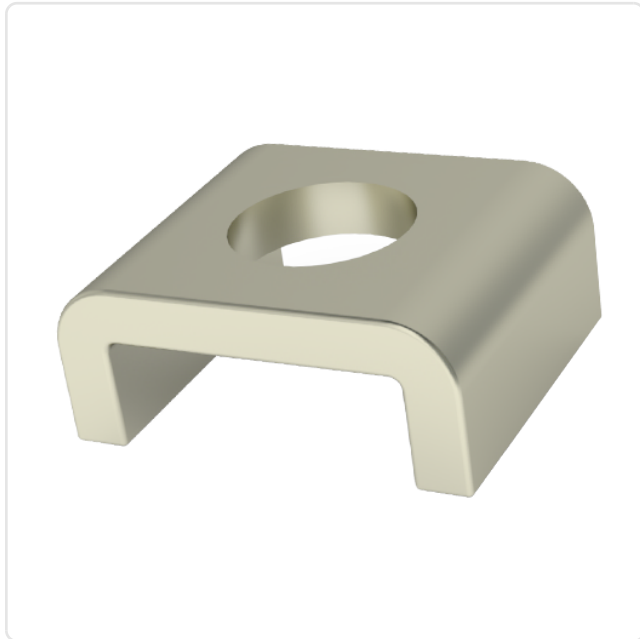
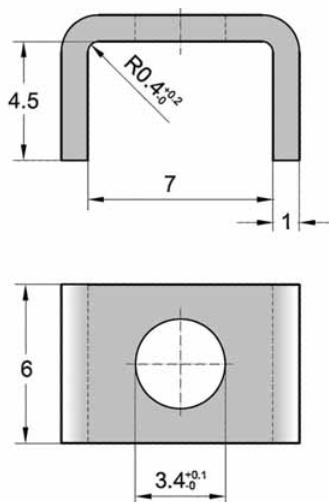


Image may be similar

Finish: Nickel-Plated, 3 µm, E1E
 For Thread Size: M3
 Height [mm]: 1
 Inner Diameter [mm]: 3.4
 Material: Brass
 Material Group: Brass
 Weight: 0.74g
 Conformities:



You can find all information on the web on our article detail page
[Clamping Bracket Type G M3 Nickel-Plated Brass](#)



Would you like individual advice?

We look forward to your email to products@ettinger.de.

Subject to change and errors.