

Article datasheet

IEC Power Inlet for PCB mounting Black,without protection cover

Article-No.: 039.61.807

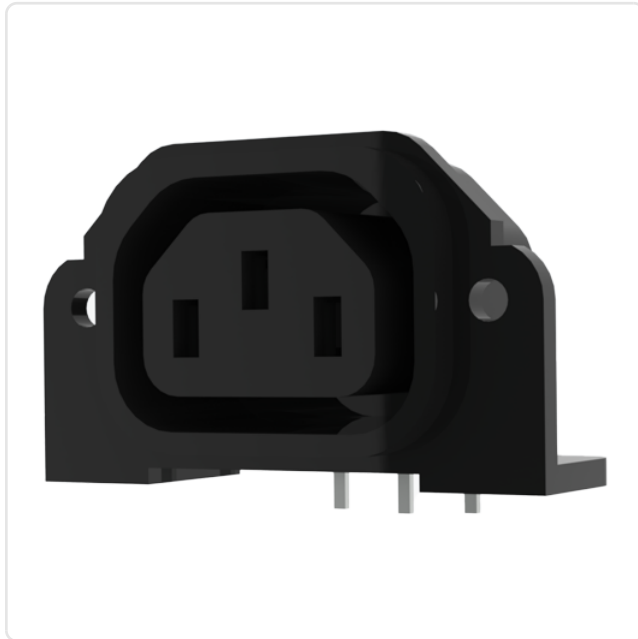


Image may be similar

Amperage [A]: 10

Color: Black

Model: Socket, Screw/PCB Mounting

Weight: 21g

Conformities:

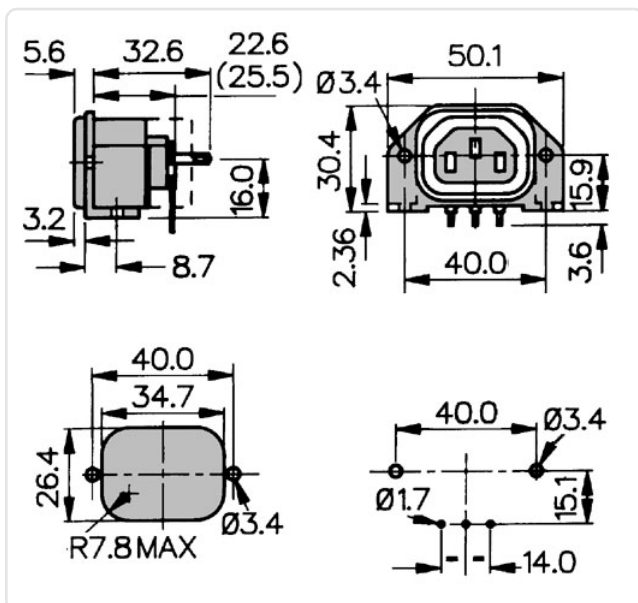


You can find all information on the web on our article detail page

[IEC Power Inlet for PCB mounting Black,without protection cover](#)

Would you like individual advice?

We look forward to your email to products@ettinger.de.



Subject to change and errors.