

Article datasheet

## Swage Standoff M3x16.0 A2 Stainless Steel Passivated

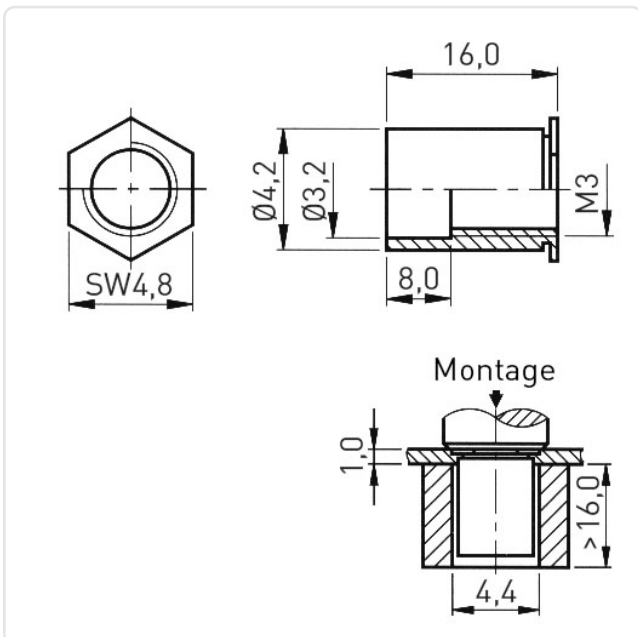
Article-No.: 004.66.369



|                             |                               |
|-----------------------------|-------------------------------|
| AF / OD [mm]:               | 5                             |
| Area of Application:        | For Metallic Materials        |
| Finish:                     | Passivated, Clear             |
| Length [mm]:                | 16                            |
| Material:                   | Stainless Steel AISI 316 / A4 |
| Material Group:             | Stainless Steel               |
| Minimum Edge Distance [mm]: | 6.0                           |
| Outer Diameter [mm]:        | 4.2                           |
| Panel Hole Ø [mm]:          | 4.2                           |
| Panel Thickness [mm]:       | 1                             |
| Thread Size:                | M3                            |
| Conformities:               |                               |



Image may be similar



You can find all information on the web on our article detail page

Would you like individual advice?

We look forward to your email to [products@ettinger.de](mailto:products@ettinger.de).

Subject to change and errors.