

Article datasheet

## Countersunk Screw ISO2009 M2x5 A2 Plain Stainless Steel Slotted

Article-No.: 001.11.118

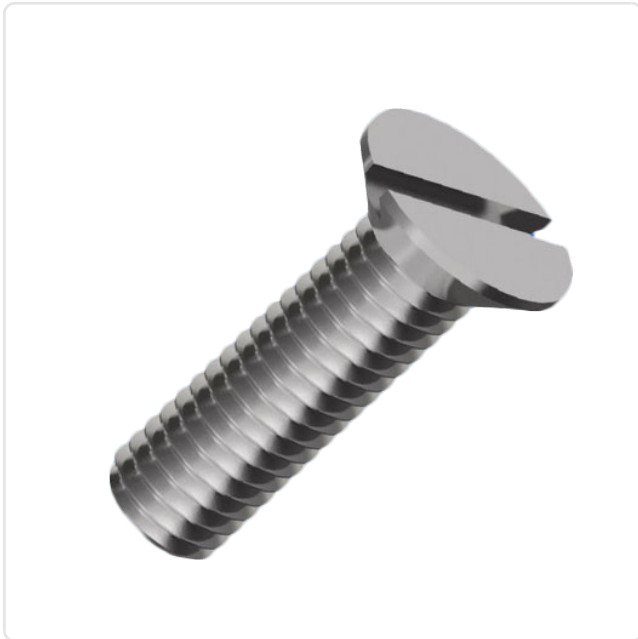


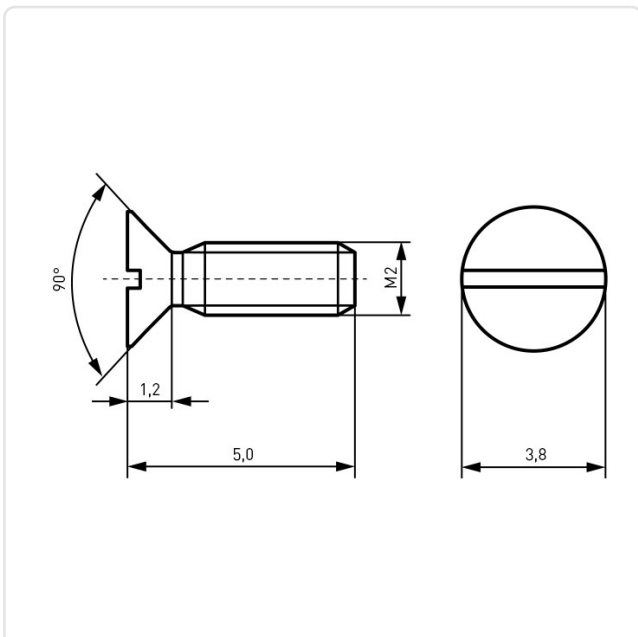
Image may be similar

DIN/ISO:	DIN963 / ISO2009
Drive Type:	Slotted
Finish:	Plain
Head Diameter [mm]:	3.8
Head Height [mm]:	1.2
Head Shape:	Countersunk Head
Length [mm]:	5
Material:	Stainless Steel AISI 304 / A2
Material Group:	Stahl rostfrei
Thread Size:	M2
Weight:	0.13g
Conformities:	



You can find all information on the web on our article detail page

[Countersunk Screw ISO2009 M2x5 A2 Plain Stainless Steel Slotted](#)



Would you like individual advice?

We look forward to your email to [products@ettinger.de](mailto:products@ettinger.de).

Subject to change and errors.