

Article datasheet

## Soldering Tag DIN 41496 4x12B1 Brass silver-plated 0.5mm 45°angled

Article-No.: 019.05.849



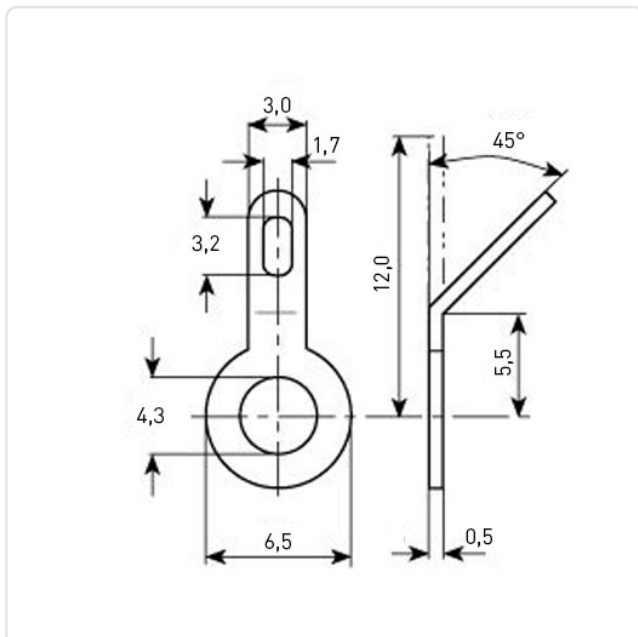
Image may be similar

Bending Angle [°]:	45
DIN/ISO:	DIN41496
Finish:	Silver-Plated
Inner Diameter [mm]:	4.3
Length [mm]:	12
Material:	Brass CW508L / CuZn37, lead-free
Material Group:	Brass
Outer Diameter [mm]:	6.5
Weight:	0.15g
Conformities:	<div style="display: flex; gap: 10px;"> <div style="border: 1px solid black; padding: 2px; text-align: center;">SVHC COMPLIANT ✓</div> <div style="border: 1px solid black; padding: 2px; text-align: center;">Reach COMPLIANT ✓</div> <div style="border: 1px solid black; padding: 2px; text-align: center;">RoHS COMPLIANT ✓</div> </div>



You can find all information on the web on our article detail page

[Soldering Tag DIN 41496 4x12B1 Brass silver-plated 0.5mm 45°angled](#)



Would you like individual advice?

We look forward to your email to [products@ettinger.de](mailto:products@ettinger.de).

Subject to change and errors.