

Article datasheet

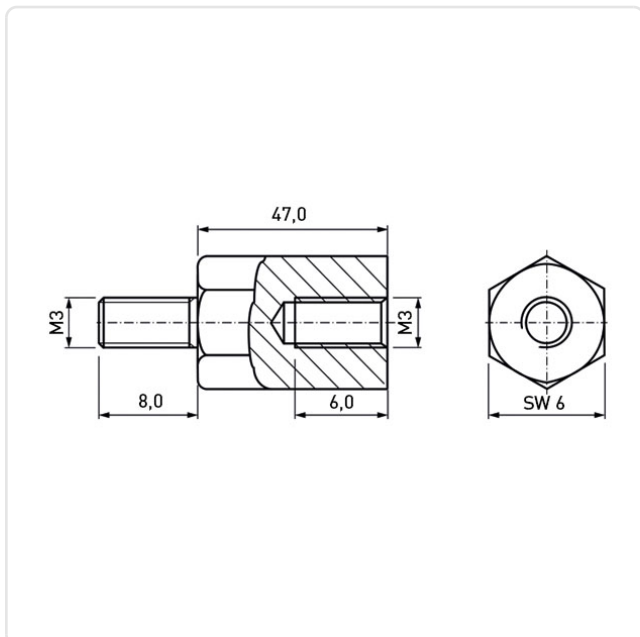
Insulated Standoff PA-Brass M/F AF6x47 | F=M3x6 M=M3x8

Article-No.: 005.58.347



Image may be similar

AF / OD [mm]:	6
Female Thread Length [mm]:	6
Female Thread Size:	M3
Flammability Class:	UL94-V2
Length [mm]:	47
Male Thread Length [mm]:	8
Male Thread Size:	M3
Material:	PA 6.6
Material Group:	Plastic
Profile:	Hexagonal
Thread Insert Material:	Brass
Weight:	2.74g
Conformities:	



You can find all information on the web on our article detail page

[Insulated Standoff PA-Brass M/F AF6x47 | F=M3x6 M=M3x8](#)

Would you like individual advice?

We look forward to your email to products@ettinger.de.

Subject to change and errors.