

Article datasheet

Socket Head Screw ISO14579 M8x40 Stainless Steel A2 Hexalobular

Article-No.: 082.66.842



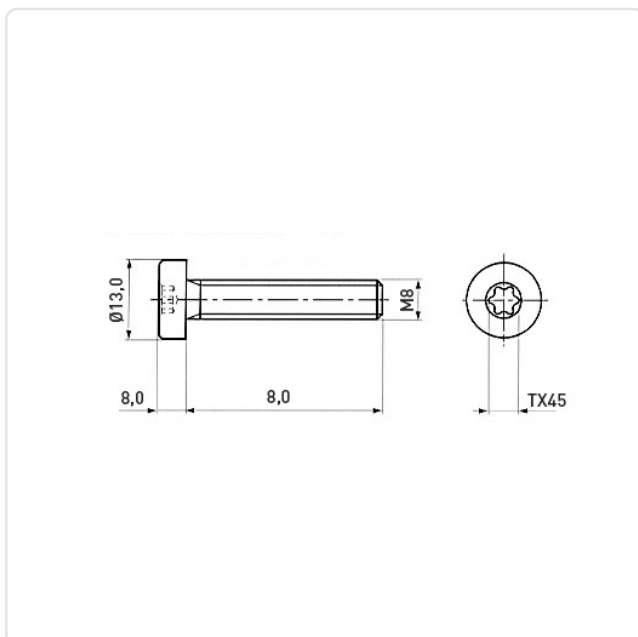
Image may be similar

Actuator Size:	Torx T40
DIN/ISO:	ISO14579
Drive Type:	TORX
Finish:	Plain
Head Diameter [mm]:	13
Head Height [mm]:	8
Head Shape:	Cheese Head
Length [mm]:	40
Material:	Stainless Steel AISI 304 / A2
Material Group:	Stahl rostfrei
Thread Size:	M8
Conformities:	



You can find all information on the web on our article detail page

[Socket Head Screw ISO14579 M8x40
Stainless Steel A2 Hexalobular](#)



Would you like individual advice?

We look forward to your email to products@ettinger.de.

Subject to change and errors.