

Article datasheet

Flanged Bearing 18.5/20/23.5x7.5mm Polyamid 6.6 natural

Article-No.: 005.99.185

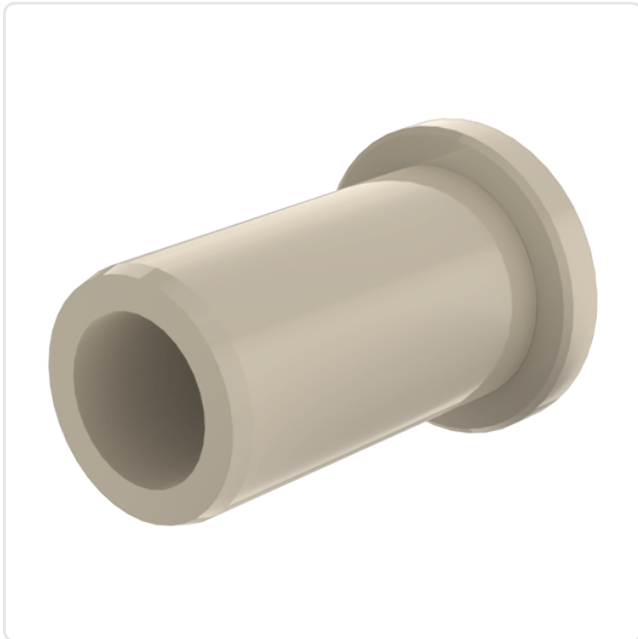


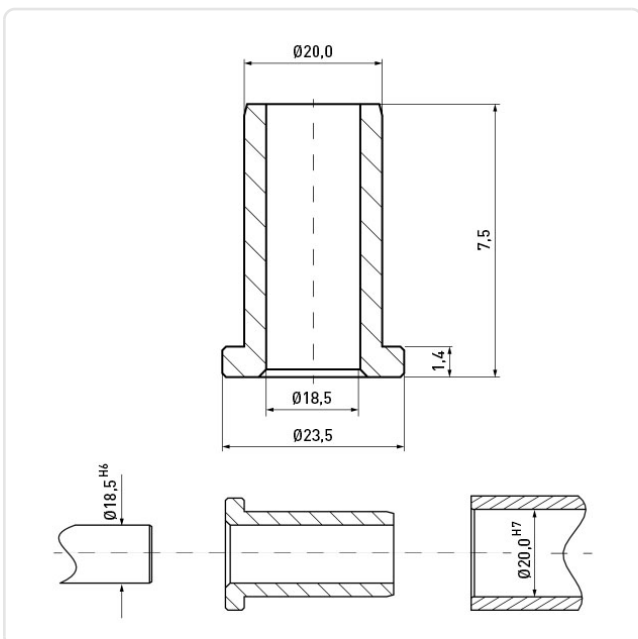
Image may be similar

Color: Natural
 Flammability Class: UL94-V2
 Inner Diameter [mm]: 18.5
 Length [mm]: 7.5
 Lug Diameter [mm]: 20
 Material: PA 6.6
 Material Group: Plastic
 Model: With High Lug
 Outer Diameter [mm]: 23.5
 Weight: 0.56g
 Conformities:



You can find all information on the web on our article detail page

[Flanged Bearing 18.5/20/23.5x7.5mm Polyamid 6.6 natural](#)



Would you like individual advice?

We look forward to your email to products@ettinger.de.

Subject to change and errors.