

Article datasheet

## Countersunk Screw ISO7047 M5x16 A2 Plain Stainless Steel Cross Recessed

Article-No.: 001.12.562

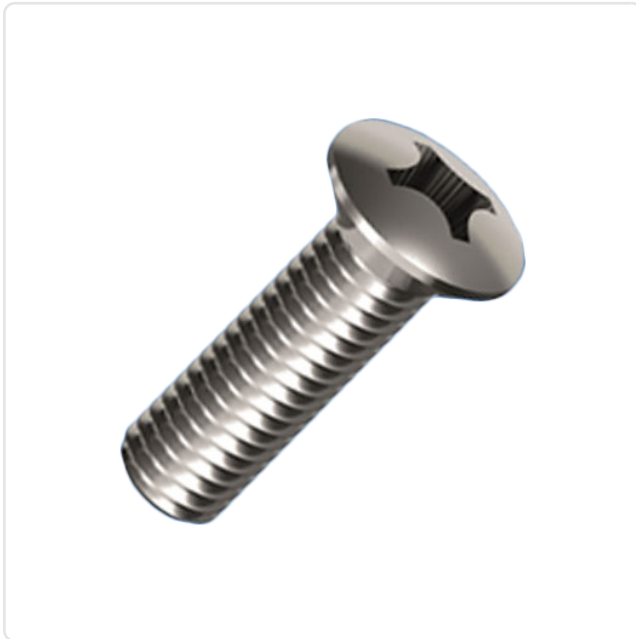
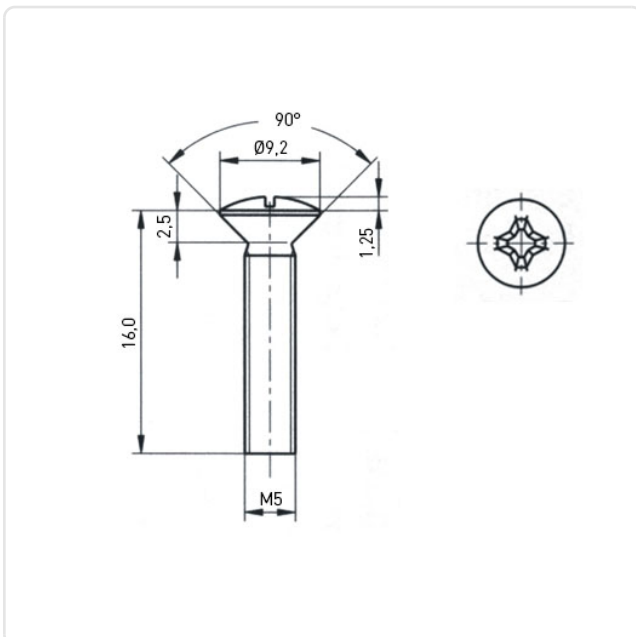


Image may be similar

|                     |                               |
|---------------------|-------------------------------|
| Actuator Size:      | Phillips PH2                  |
| DIN/ISO:            | ISO7047                       |
| Drive Type:         | Cross Recess / Phillips-H     |
| Finish:             | Plain                         |
| Head Diameter [mm]: | 9.2                           |
| Head Height [mm]:   | 2.5                           |
| Head Shape:         | Countersunk Head              |
| Length [mm]:        | 16                            |
| Material:           | Stainless Steel AISI 304 / A2 |
| Material Group:     | Stahl rostfrei                |
| Thread Size:        | M5                            |
| Weight:             | 2.7g                          |
| Conformities:       |                               |



You can find all information on the web on our article detail page

[Countersunk Screw ISO7047 M5x16 A2 Plain Stainless Steel Cross Recessed](#)

Would you like individual advice?

We look forward to your email to [products@ettinger.de](mailto:products@ettinger.de).

Subject to change and errors.