

Article datasheet

**Dowel Pin ISO2338 Ø6x16 Plain Steel**

Article-No.: 080.00.0616



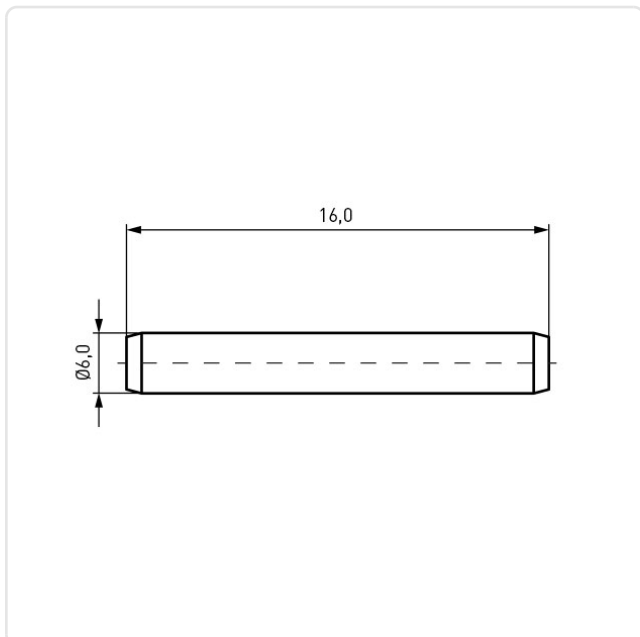
Image may be similar

DIN/ISO: ISO2338  
Diameter [mm]: 6  
Finish: Plain  
Length [mm]: 16  
Material: Steel AISI 12L13 / 11SMnPb30  
Material Group: Stahl  
Conformities:



You can find all information on the web on our article detail page

[Dowel Pin ISO2338 Ø6x16 Plain Steel](#)



Would you like individual advice?

We look forward to your email to [products@ettinger.de](mailto:products@ettinger.de).

Subject to change and errors.