

Article datasheet

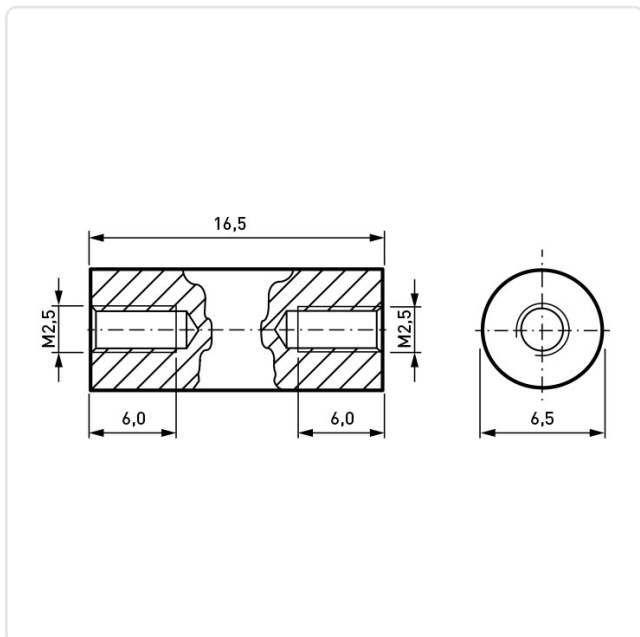
Insulated Standoff PA-Brass F/F $\varnothing 6.5 \times 16.5$ | Thread M2.5x6 / M2.5x6

Article-No.: 005.48.216



Image may be similar

AF / OD [mm]:	6.5
Flammability Class:	UL94-HB
Length [mm]:	16.5
Material:	PA 6.6
Material Group:	Plastic
Profile:	Round
Thread 1 Length [mm]:	6
Thread 1 Size:	M2.5
Thread 2 Length [mm]:	6
Thread 2 Size:	M2.5
Thread Insert Material:	Brass
Weight:	1.16g
Conformities:	



You can find all information on the web on our article detail page

[Insulated Standoff PA-Brass F/F \$\varnothing 6.5 \times 16.5\$ | Thread M2.5x6 / M2.5x6](#)

Would you like individual advice?

We look forward to your email to products@ettinger.de.

Subject to change and errors.