

Article datasheet

Insulated Standoff PA-Brass F/F AF6x12 | Thread M2.5x4 / M2.5x4

Article-No.: 005.41.829



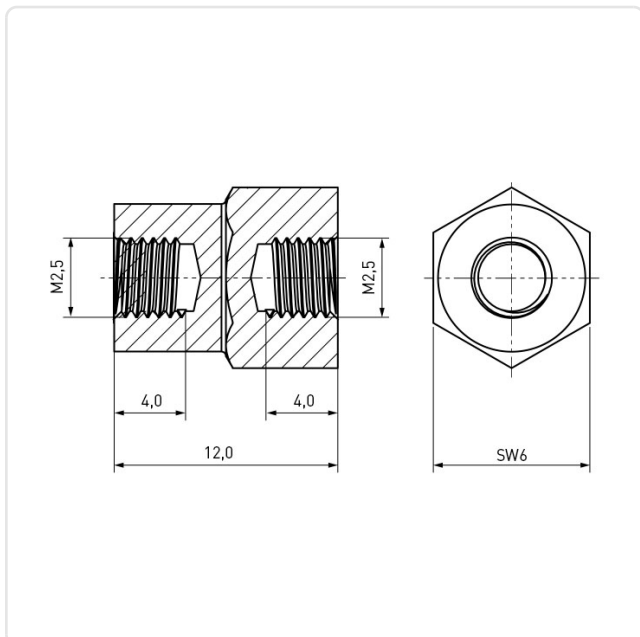
Image may be similar

AF / OD [mm]: 6
 Flammability Class: UL94-HB
 Length [mm]: 12
 Material: PA 6.0
 Material Group: Plastic
 Profile: Hexagonal
 Thread 1 Length [mm]: 4
 Thread 1 Size: M2.5
 Thread 2 Length [mm]: 4
 Thread 2 Size: M2.5
 Thread Insert Material: Brass
 Conformities:



You can find all information on the web on our article detail page

[Insulated Standoff PA-Brass F/F AF6x12 | Thread M2.5x4 / M2.5x4](#)



Would you like individual advice?

We look forward to your email to products@ettinger.de.

Subject to change and errors.