

Article datasheet

Hexagon Nut DIN934/ISO4032 M2 A4 Plain Stainless Steel

Article-No.: 002.10.419

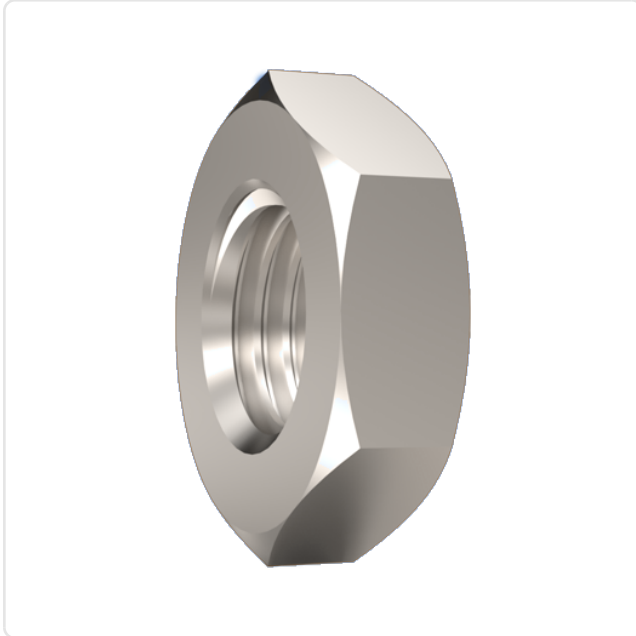


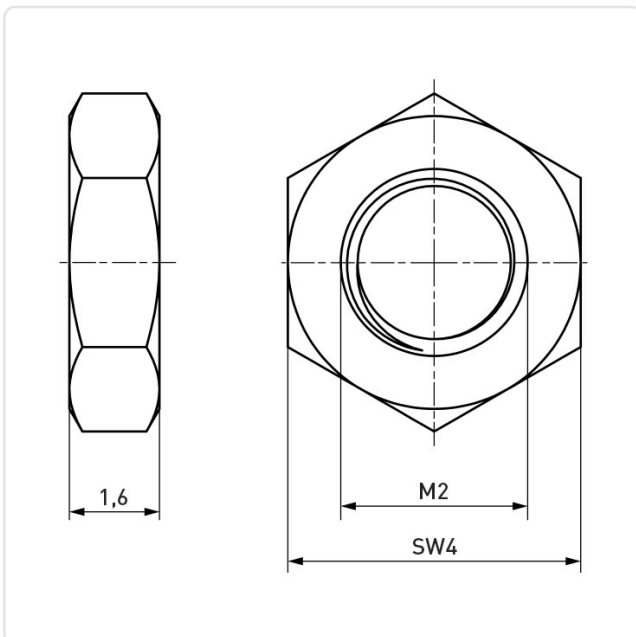
Image may be similar

AF / OD [mm]: 4
DIN/ISO: ISO4032
Finish: Plain
Height [mm]: 1.6
Material: Stainless Steel AISI 316 / A4
Material Group: Stainless Steel
Thread Size: M2
Weight: 0.12g
Conformities:



You can find all information on the web on our article detail page

[Hexagon Nut DIN934/ISO4032 M2 A4 Plain Stainless Steel](#)



Would you like individual advice?

We look forward to your email to products@ettinger.de.

Subject to change and errors.