

Article datasheet

**Dowel Pin ISO8734 Ø4x20 Plain Steel**

Article-No.: 080.01.0420

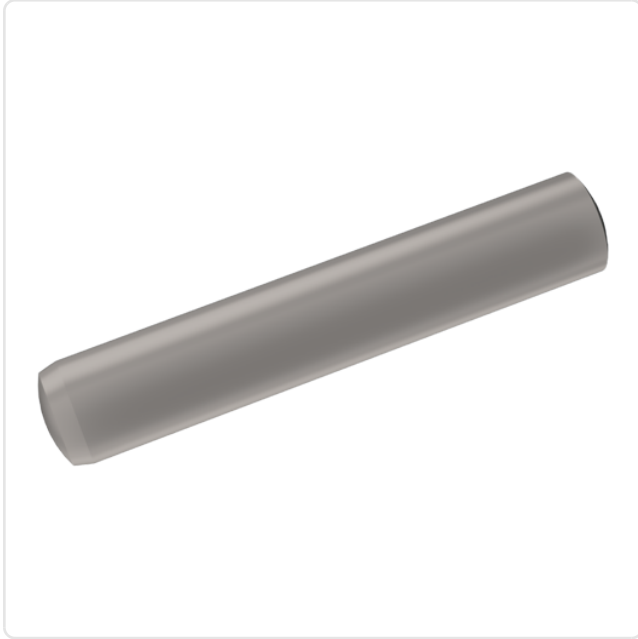


Image may be similar

DIN/ISO: ISO8734

Diameter [mm]: 4

Finish: Plain

Length [mm]: 20

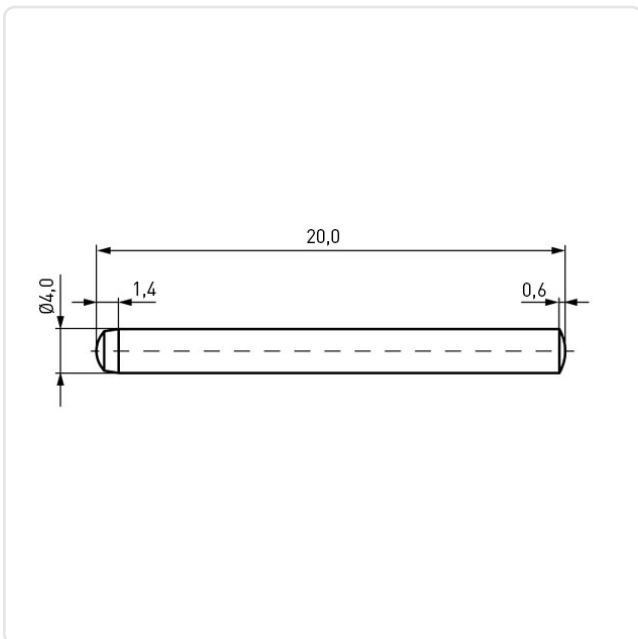
Material: Steel

Material Group: Stahl

Conformities:



You can find all information on the web on our article detail page

[Dowel Pin ISO8734 Ø4x20 Plain Steel](#)

Would you like individual advice?

We look forward to your email to [products@ettinger.de](mailto:products@ettinger.de).

Subject to change and errors.