

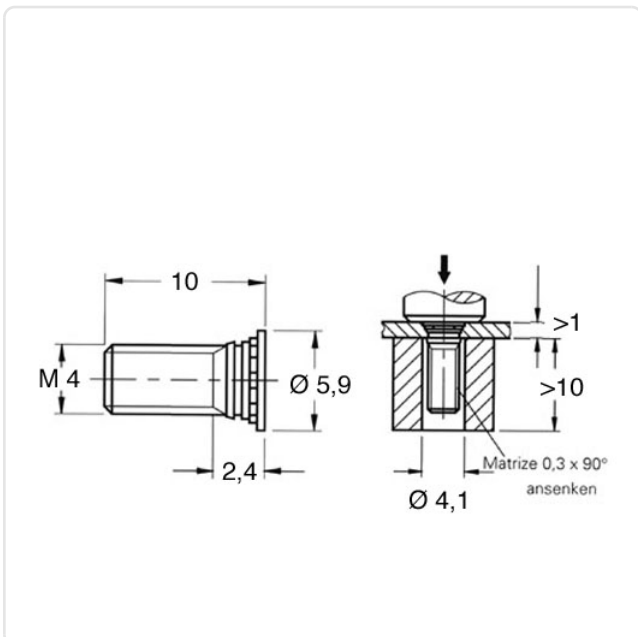
Article datasheet

Self-Clinching Stud M4x10.0 Galvanized Steel

Article-No.: 004.62.441



Image may be similar



Area of Application:	For Metallic Materials
Finish:	Galvanized, Blue, 5 µm, A2K
Head Diameter [mm]:	5.9
Length [mm]:	10
Material:	Steel
Material Group:	Steel
Minimum Edge Distance [mm]:	7.2
Panel Hole Ø [mm]:	4
Panel Thickness [mm]:	1
Thread Size:	M4
Weight:	0.82g
Conformities:	



You can find all information on the web on our article detail page

[Self-Clinching Stud M4x10.0 Galvanized Steel](#)

Would you like individual advice?

We look forward to your email to products@ettinger.de.

Subject to change and errors.