

Article datasheet

PCB Support 6.4 | \varnothing 3.2 | \varnothing 3.2 Polyamide 6.6 natural

Article-No.: 006.30.066

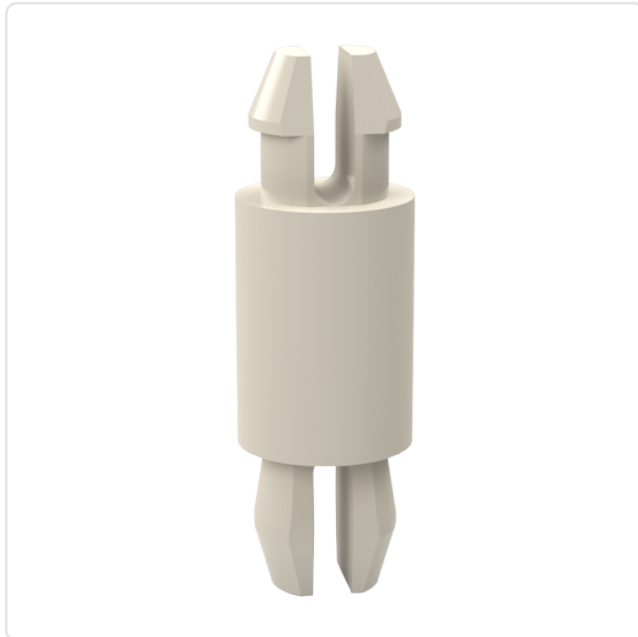


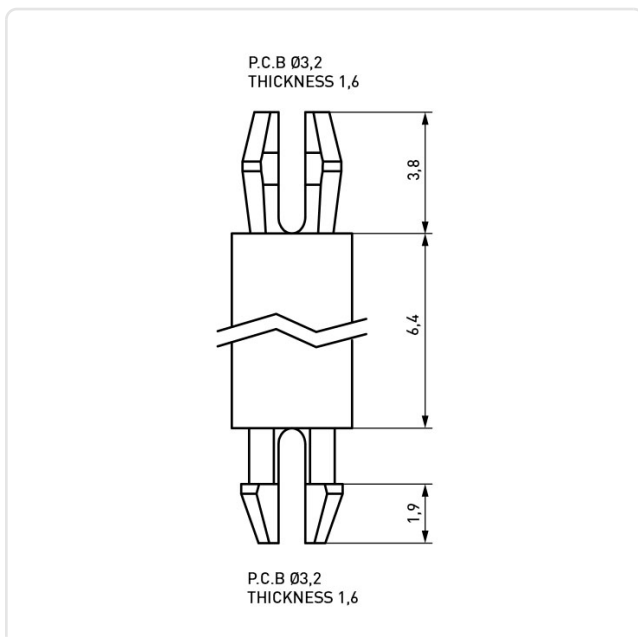
Image may be similar

Color:	Natural
Flammability Class:	UL94-V2
Length [mm]:	6.4
Material:	PA 6.6
Material Group:	Plastic
PCB Hole \varnothing [mm]:	3.2
PCB Thickness [mm]:	1,6
Panel Hole \varnothing [mm]:	3.2
Panel Thickness [mm]:	1,6
Weight:	0.15g
Conformities:	



You can find all information on the web on our article detail page

[PCB Support 6.4 | \$\varnothing\$ 3.2 | \$\varnothing\$ 3.2 Polyamide 6.6 natural](#)



Would you like individual advice?

We look forward to your email to products@ettinger.de.

Subject to change and errors.