

Article datasheet

Contact Screw M3x6 Steel 4.8 zinc plated Pozidriv

Article-No.: 001.75.321

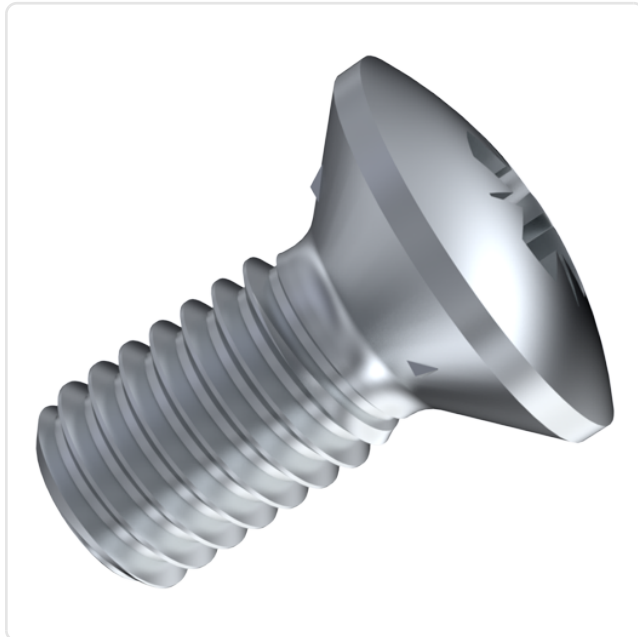


Image may be similar

Actuator Size:	Pozidriv PZ2
Drive Type:	Cross Recess / Pozidriv-Z
Finish:	Galvanized, Blue, 5 µm, A2K
Head Diameter [mm]:	5.6
Head Height [mm]:	1.65
Head Shape:	Countersunk Head
Length [mm]:	6
Material:	Steel 4.8, lead-free
Material Group:	Steel
Thread Size:	M3
Weight:	0.4g
Conformities:	



You can find all information on the web on our article detail page

[Contact Screw M3x6 Steel 4.8 zinc plated Pozidriv](#)

Would you like individual advice?

We look forward to your email to products@ettinger.de.

Subject to change and errors.

