

Article datasheet

Terminal Pin $\varnothing 1.3 \times 11.0 \text{mm}$ Brass silver-plated - round press-in

Article-No.: 013.14.229

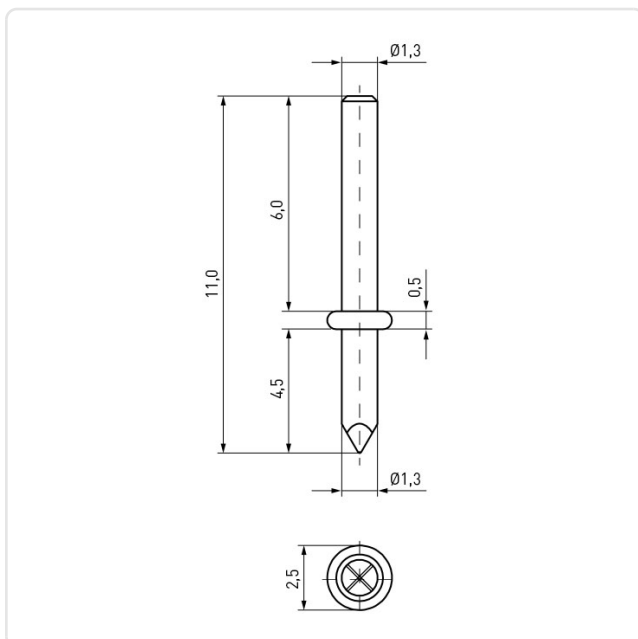


Image may be similar

Diameter [mm]: 1.3
 Finish: Silver-Plated
 Length [mm]: 11
 Material: Messing
 PCB Hole \varnothing [mm]: 1.3
 Plug-In Length [mm]: 6
 Weight: 0.13g
 Conformities:



You can find all information on the web on our article detail page
[Terminal Pin \$\varnothing 1.3 \times 11.0 \text{mm}\$ Brass silver-plated - round press-in](#)



Would you like individual advice?

We look forward to your email to products@ettinger.de.

Subject to change and errors.