

Article datasheet

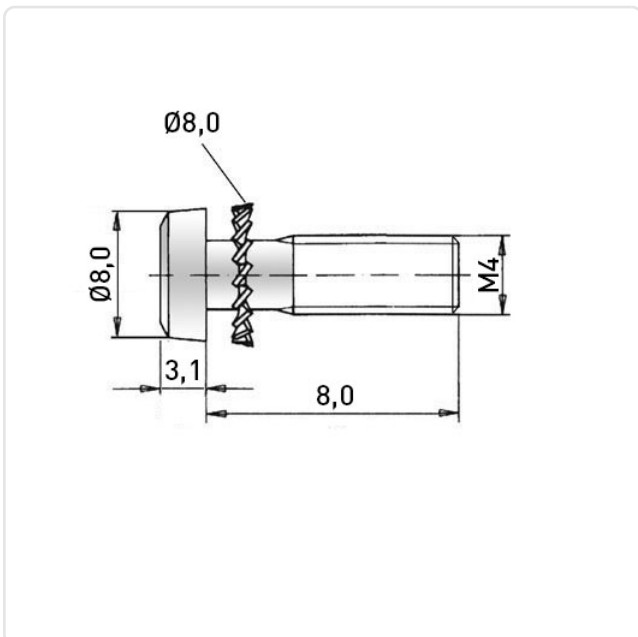
SEMS Screw ISO14583 TX Z7 M4x8 Galv. Steel 8.8 Serrated Lock Washer

Article-No.: 081.55.433



Image may be similar

Actuator Size:	Torx T20
Combination:	Serrated Lock Washer DIN6907
DIN/ISO:	ISO14583
Drive Type:	TORX
Finish:	Galvanized, Blue, 5 µm, A2K
Head Diameter [mm]:	8
Head Height [mm]:	3.1
Head Shape:	Pan Head
Length [mm]:	8
Material:	Steel 8.8, lead-free
Material Group:	Steel
Thread Size:	M4
Weight:	1.7g
Conformities:	



You can find all information on the web on our article detail page

Would you like individual advice?

We look forward to your email to products@ettinger.de.

Subject to change and errors.