

Article datasheet

## Collar Button Head Screw ISO7380-2 M3x16 Stainless Steel A2 Hexalobular

Article-No.: 001.61.362

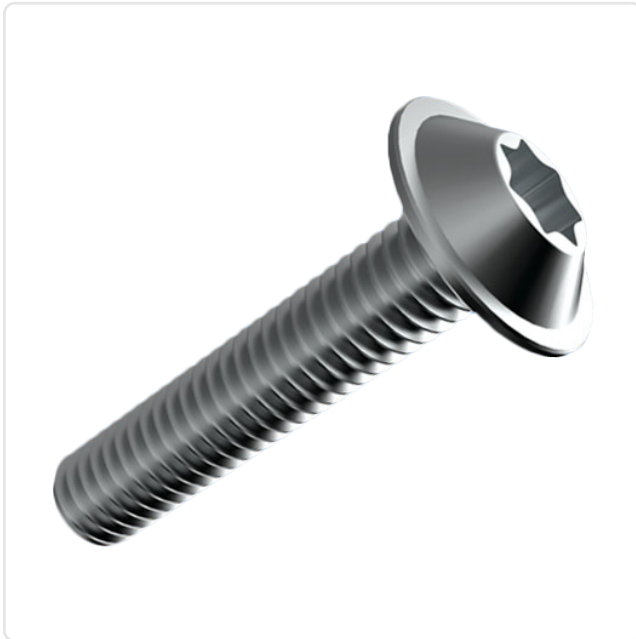
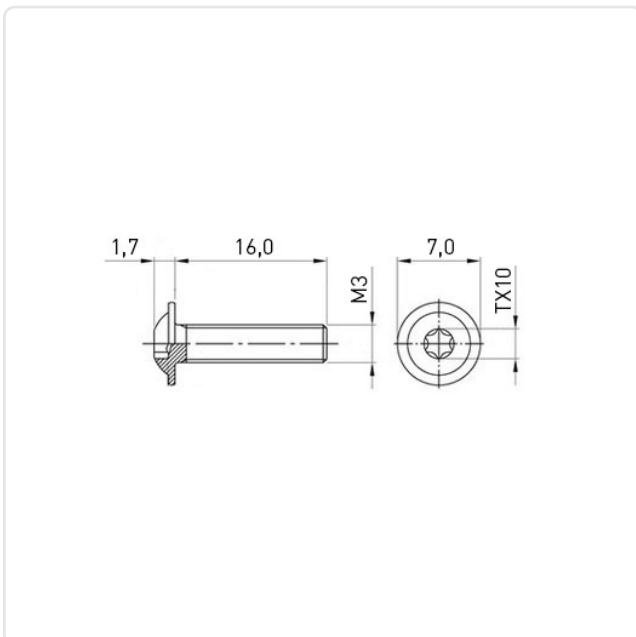


Image may be similar

Actuator Size:	Torx T10
DIN/ISO:	ISO7380-2
Drive Type:	TORX
Finish:	Plain
Head Diameter [mm]:	6.9
Head Height [mm]:	1.65
Head Shape:	Button Head with Collar
Length [mm]:	16
Material:	Stainless Steel AISI 304 / A2
Material Group:	Stahl rostfrei
Thread Size:	M3
Weight:	0.92g
Conformities:	



You can find all information on the web on our article detail page

[Collar Button Head Screw ISO7380-2 M3x16 Stainless Steel A2 Hexalobular](#)

Would you like individual advice?

We look forward to your email to [products@ettinger.de](mailto:products@ettinger.de).

Subject to change and errors.