

Article datasheet

## Batteryholder for 2x "AA" Mignon Polypropylen black UL94-HB

Article-No.: 015.32.632

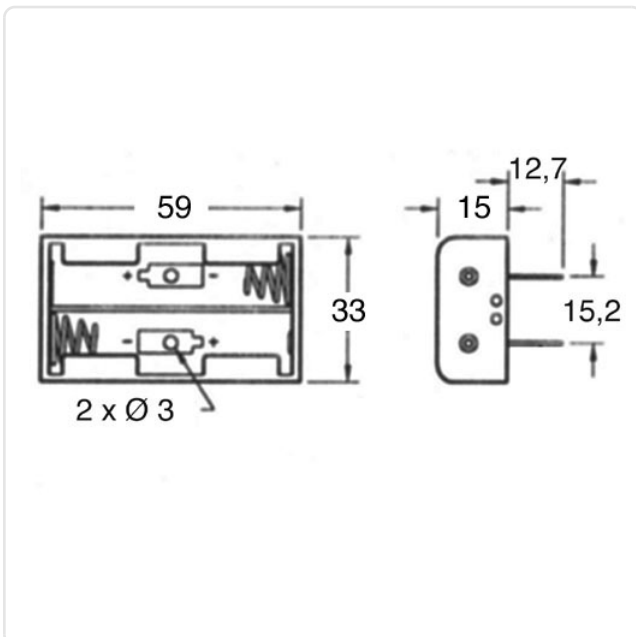


Image may be similar

Battery Type: AA-Mignon  
 Flammability Class: UL94-HB  
 Material: PP - Polypropylene  
 Material Group: Plastic  
 Model: PCB Mounting Connection  
 No. Cells: 2  
 Weight: 7.1g  
 Conformities:



You can find all information on the web on our article detail page [Batteryholder for 2x "AA" Mignon Polypropylen black UL94-HB](#)



Would you like individual advice?

We look forward to your email to [products@ettinger.de](mailto:products@ettinger.de).

Subject to change and errors.