

Article datasheet

## Cable Gland with antikink M12x1.5 IP68 clamping range 3,5-7mm PA grey

Article-No.: 014.22.127

Manufacturer: LAPP

Manufacturer article-no.: 53111800

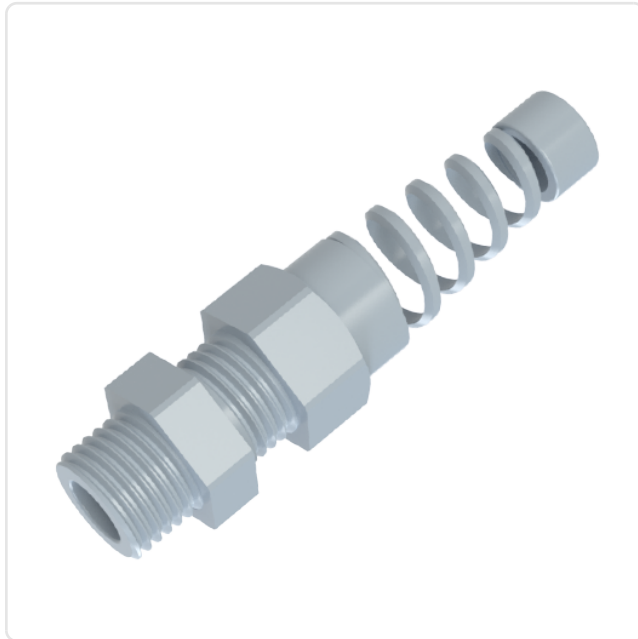


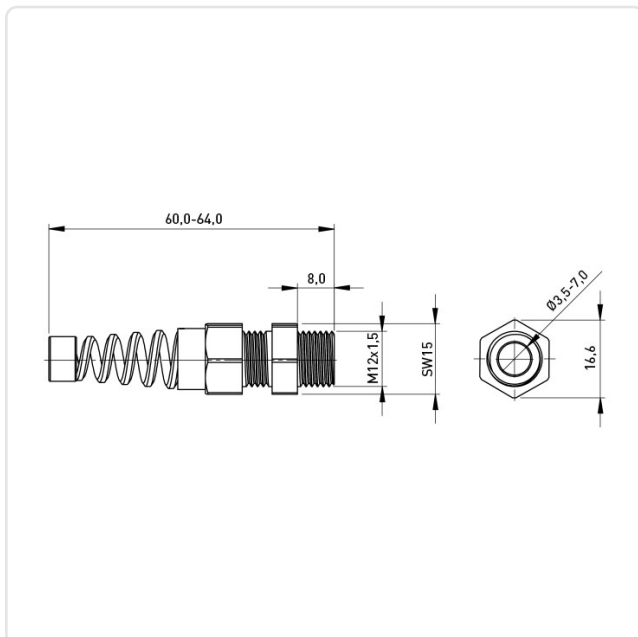
Image may be similar

AF / OD [mm]:	15
Color:	Gray
Material:	PA 6.0
Material Group:	Plastic
Model:	With Bend Protection
Mounting Hole [mm]:	12.5
Panel Thickness Range [mm]:	3,5-7,0
Protection Code:	IP68
Thread Size:	M12
Weight:	5.52g
Conformities:	  



You can find all information on the web on our article detail page

[Cable Gland with antikink M12x1.5 IP68 clamping range 3,5-7mm PA grey](#)



Would you like individual advice?

We look forward to your email to [products@ettinger.de](mailto:products@ettinger.de).

Subject to change and errors.