

Article datasheet

## Turret Terminal 2-pole M2.5 Ceramic C221 | Tinned Brass

Article-No.: 013.80.522

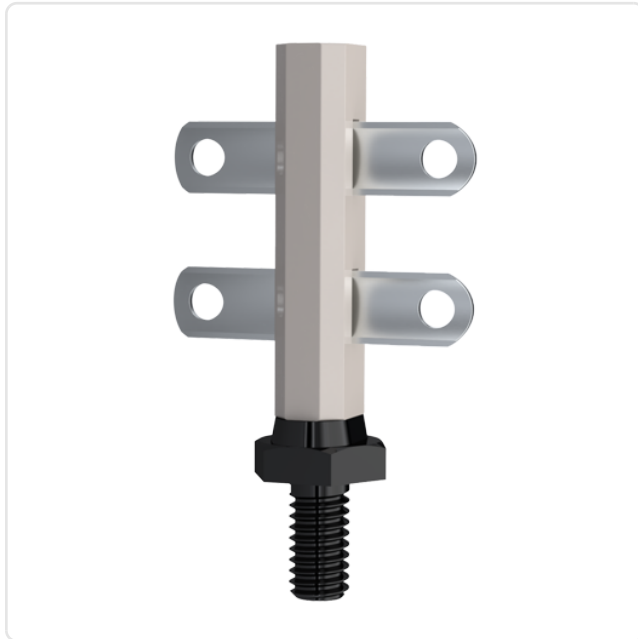


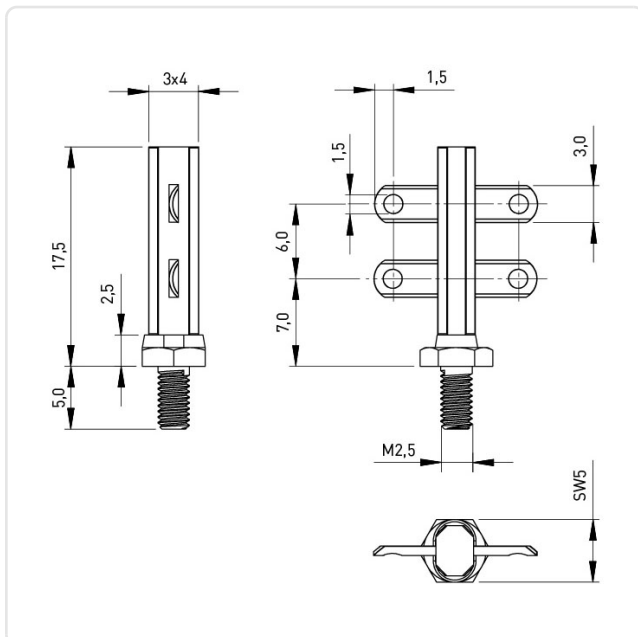
Image may be similar

AF / OD [mm]:	5
Diameter [mm]:	4
Finish:	Tin-Plated
Insulation:	KERAMIK
Material:	Brass
Material Group:	Brass
Thread Length [mm]:	5
Thread Size:	M2.5
Weight:	1.04g
Conformities:	



You can find all information on the web on our article detail page

[Turret Terminal 2-pole M2.5 Ceramic C221 | Tinned Brass](#)



Would you like individual advice?

We look forward to your email to [products@ettinger.de](mailto:products@ettinger.de).

Subject to change and errors.