

Article datasheet

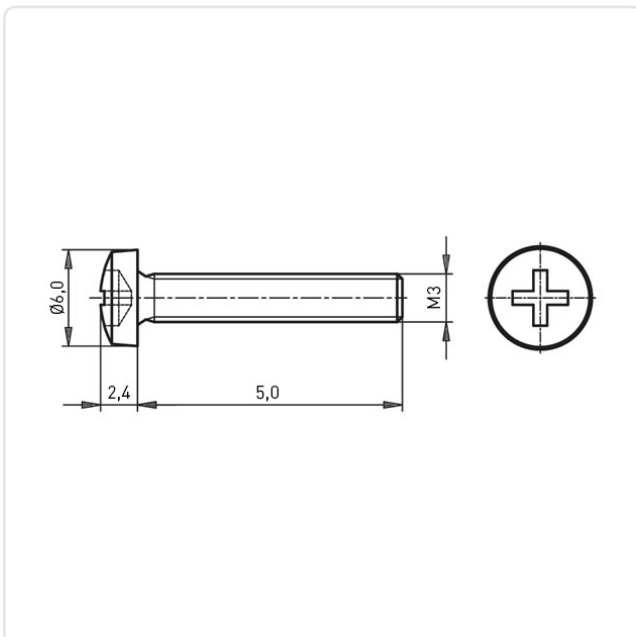
Pan Head Screw ISO7045 M3x5 Steel 4.8 Zinc Plated Cross Recessed

Article-No.: 001.17.311



Image may be similar

Actuator Size:	Phillips PH1
DIN/ISO:	ISO7045
Drive Type:	Cross Recess / Phillips-H
Finish:	Galvanized, Blue, 5 µm, A2K
Head Diameter [mm]:	6
Head Height [mm]:	2.4
Head Shape:	Pan Head
Length [mm]:	5
Material:	Steel 4.8, lead-free
Material Group:	Steel
Thread Size:	M3
Weight:	0.63g
Conformities:	



You can find all information on the web on our article detail page

[Pan Head Screw ISO7045 M3x5 Steel 4.8 Zinc Plated Cross Recessed](#)

Would you like individual advice?

We look forward to your email to products@ettinger.de.

Subject to change and errors.