

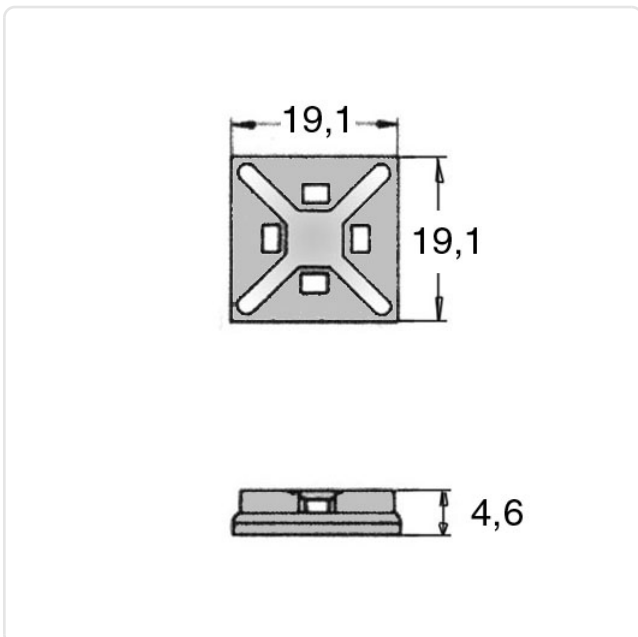
Article datasheet

**Flat Tie Holder 19x19mm Polyamide white**

Article-No.: 072.59.147



Image may be similar



Cable Tie Width max. [mm]:	4.0
Color:	White
Height [mm]:	4.6
Length [mm]:	19.1
Material:	ABS - Acrylonitrile Butadiene Styrene
Material Group:	Plastic
Model:	Fastening Plate, Self-Adhesive
Width [mm]:	19.1
Weight:	0.54g
Conformities:	



You can find all information on the web on our article detail page

[Flat Tie Holder 19x19mm Polyamide white](#)

Would you like individual advice?

We look forward to your email to [products@ettinger.de](mailto:products@ettinger.de).

Subject to change and errors.