

Article datasheet

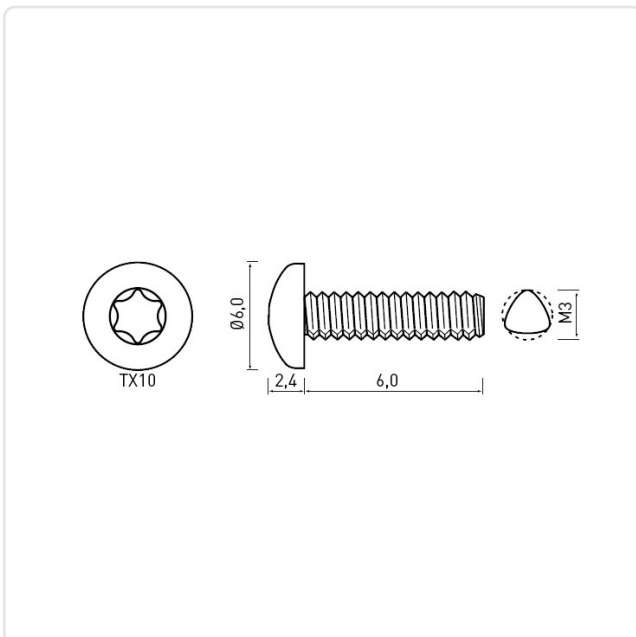
Thread Forming Screw DIN7500C M3x6 Black Galv. STL Case Hard. Torx Pan Head

Article-No.: 001.31.320



Image may be similar

Actuator Size:	Torx T10
DIN/ISO:	DIN7500-C
Drive Type:	TORX
Finish:	Galvanized, Black, 5 µm, A2R
Head Diameter [mm]:	6
Head Height [mm]:	2.4
Head Shape:	Pan Head
Length [mm]:	6
Material:	Case-Hardened Steel
Material Group:	Steel
Thread Size:	M3
Thread Type:	Metric
Weight:	0.65g
Conformities:	



You can find all information on the web on our article detail page
[Thread Forming Screw DIN7500C M3x6 Black Galv. STL Case Hard. Torx Pan Head](#)

Would you like individual advice?

We look forward to your email to products@ettinger.de.

Subject to change and errors.