

Article datasheet

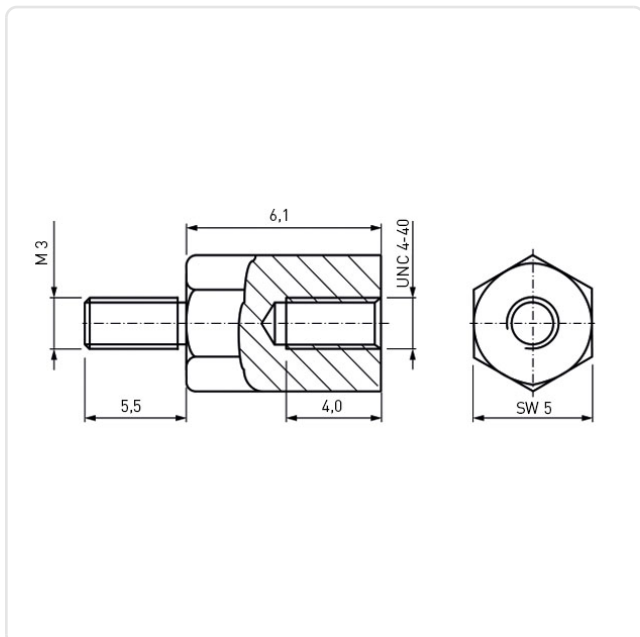
Standoff Plain Stainless Steel M/F AF5x6.1 F=4-40x4 M=M3x5.5 w/ UC

Article-No.: 009.34.659



Image may be similar

AF / OD [mm]:	5
Female Thread Length [mm]:	4
Female Thread Size:	UNC4-40
Finish:	Plain
Length [mm]:	6.1
Male Thread Length [mm]:	5.5
Male Thread Size:	M3
Material:	Stainless Steel AISI 303 / X8CrNiS18-9
Material Group:	Stahl rostfrei
Profile:	Hexagonal
Undercut:	Yes
Weight:	0.98g
Conformities:	



You can find all information on the web on our article detail page

[Standoff Plain Stainless Steel M/F AF5x6.1 F=4-40x4 M=M3x5.5 w/ UC](#)

Would you like individual advice?

We look forward to your email to products@ettinger.de.

Subject to change and errors.