

Article datasheet

## Flanged Bearing $\varnothing 12/16/21 \times 19$ -2mm Polyamid 6.6 natural UL94-V2

Article-No.: 005.99.126

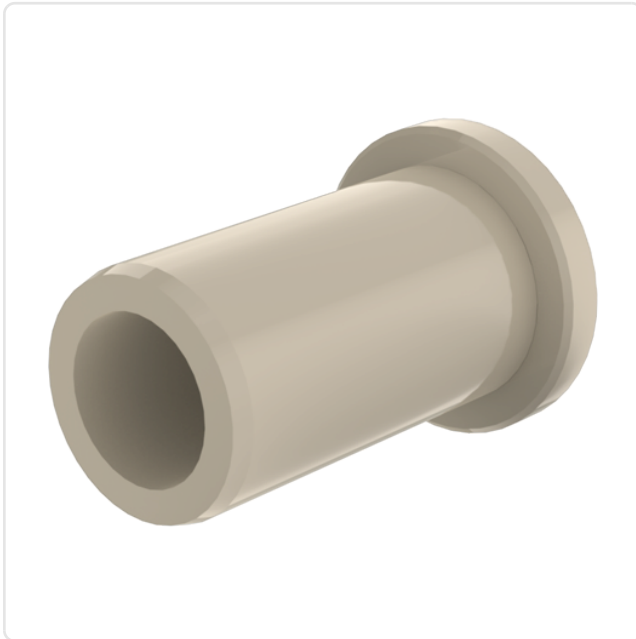


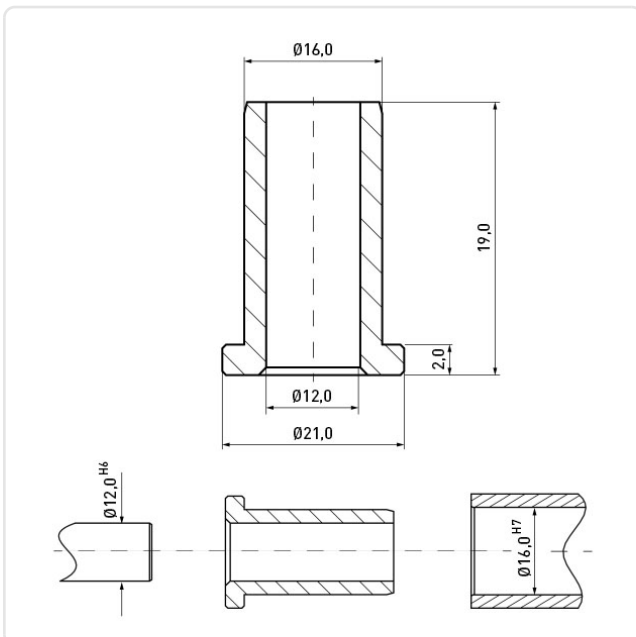
Image may be similar

Color:	Natural
Flammability Class:	UL94-V2
Inner Diameter [mm]:	12
Length [mm]:	19
Lug Diameter [mm]:	16
Material:	PA 6.6
Material Group:	Plastic
Model:	With High Lug
Outer Diameter [mm]:	21
Weight:	2.11g
Conformities:	<div style="display: flex; gap: 10px;"> <div style="border: 1px solid green; padding: 2px; text-align: center;">SVHC COMPLIANT</div> <div style="border: 1px solid green; padding: 2px; text-align: center;">Reach COMPLIANT</div> <div style="border: 1px solid green; padding: 2px; text-align: center;">RoHS COMPLIANT</div> </div>



You can find all information on the web on our article detail page

[Flanged Bearing  \$\varnothing 12/16/21 \times 19\$ -2mm Polyamid 6.6 natural UL94-V2](#)



Would you like individual advice?

We look forward to your email to [products@ettinger.de](mailto:products@ettinger.de).

Subject to change and errors.