

Article datasheet

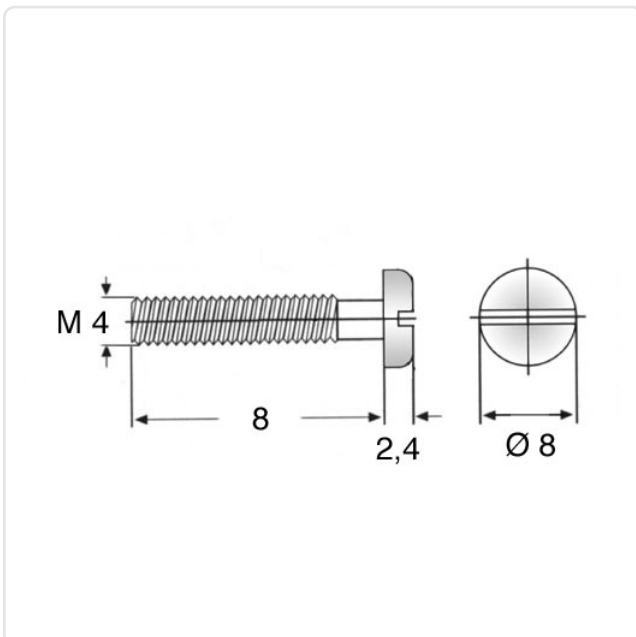
## Pan Head Screw ISO1580 M4x8 Polyamide 6.0 GF Natural Slotted

Article-No.: 001.45.437



Image may be similar

Color:	Natural
DIN/ISO:	ISO1580
Drive Type:	Slotted
Flammability Class:	UL94-HB
Head Diameter [mm]:	8
Head Height [mm]:	2.4
Head Shape:	Pan Head
Length [mm]:	8
Material:	PA 6.0 25% GF
Material Group:	Plastic
Thread Size:	M4
Weight:	0.24g
Conformities:	



You can find all information on the web on our article detail page

[Pan Head Screw ISO1580 M4x8 Polyamide 6.0 GF Natural Slotted](#)

Would you like individual advice?

We look forward to your email to [products@ettinger.de](mailto:products@ettinger.de).

Subject to change and errors.