

Article datasheet

Hole Plug \varnothing 20.5/25.2mm Polyethylene,natural/Not UL-listed

Article-No.: 014.10.201

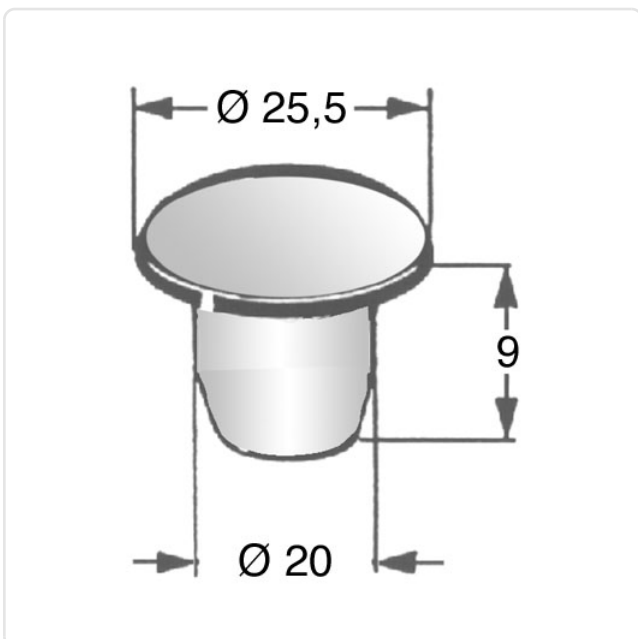


Image may be similar

Color: Natural
Inner Diameter [mm]: 20.5
Material: PE - Polyethylene
Material Group: Plastic
Model: Hole Plug
Outer Diameter [mm]: 25.2
Weight: 1.48g
Conformities:



You can find all information on the web on our article detail page
[Hole Plug \$\varnothing\$ 20.5/25.2mm Polyethylene,natural/Not UL-listed](#)



Would you like individual advice?

We look forward to your email to products@ettinger.de.

Subject to change and errors.