

Article datasheet

Power-Element M6 - 4 pins for max. current 200 A

Article-No.: 013.41.764

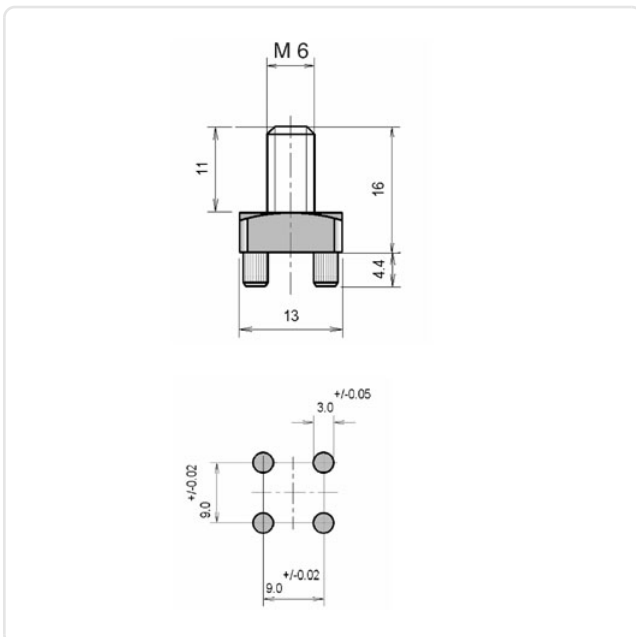


Image may be similar

Amperage [A]: 200
 Finish: Tin-Plated
 Grid [mm]: 9.0
 Material: Brass CW614N / CuZn39Pb3
 Material Group: Brass
 Thread Size: M6
 Weight: 10g
 Conformities:



You can find all information on the web on our article detail page [Power-Element M6 - 4 pins for max. current 200 A](#)



Would you like individual advice?

We look forward to your email to products@ettinger.de.

Subject to change and errors.