

Article datasheet

## Hexagon Nut DIN934/ISO4032 M2 Nickel-Plated Steel 4.8

Article-No.: 002.10.013

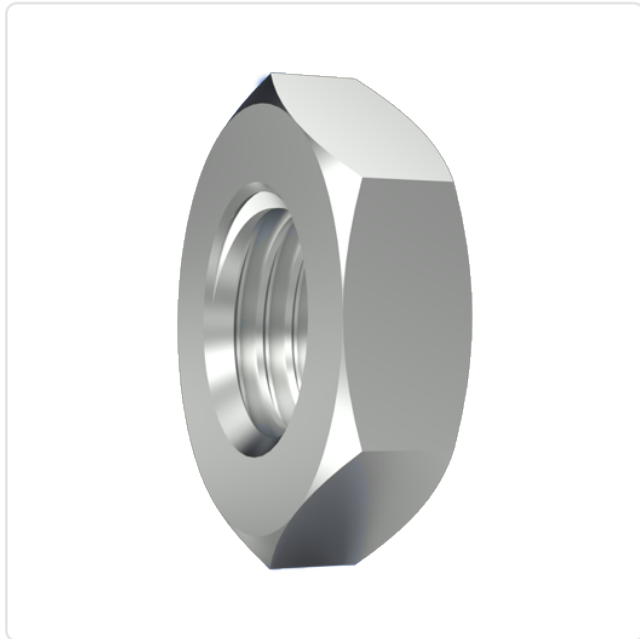


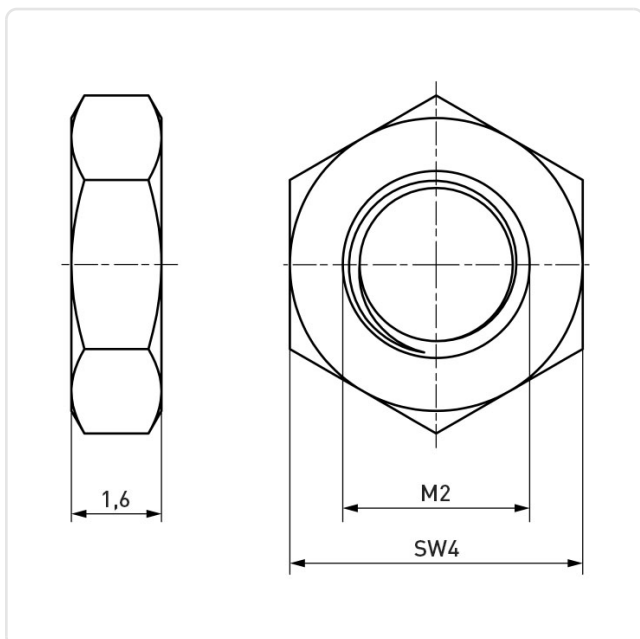
Image may be similar

AF / OD [mm]: 4  
 DIN/ISO: ISO4032  
 Finish: Nickel-Plated, 3 µm, E1E  
 Height [mm]: 1.6  
 Material: Steel 4.8, lead-free  
 Material Group: Steel  
 Thread Size: M2  
 Weight: 0.12g  
 Conformities:



You can find all information on the web on our article detail page

[Hexagon Nut DIN934/ISO4032 M2 Nickel-Plated Steel 4.8](#)



Would you like individual advice?

We look forward to your email to [products@ettinger.de](mailto:products@ettinger.de).

Subject to change and errors.