

Article datasheet

Wire Saddle 4.3x3.0mm adhesive PA6.6 natural UL94-V2 E70062

Article-No.: 072.58.150



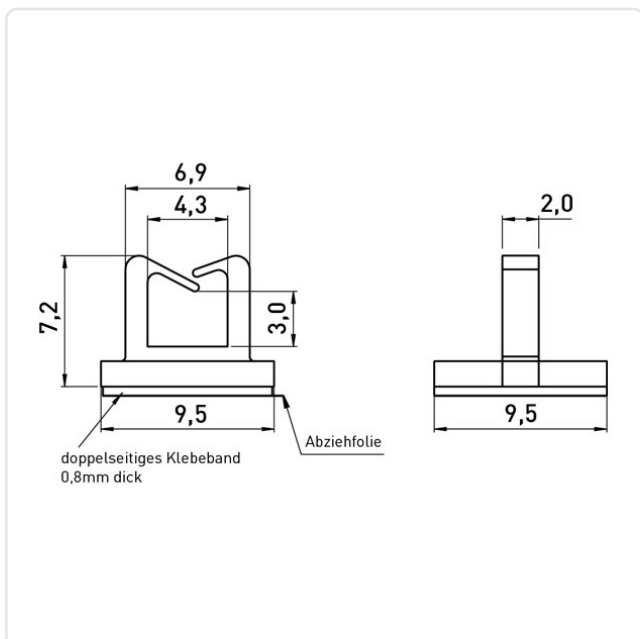
Image may be similar

Color: Natural
 Height [mm]: 7.2
 Material: PA 6.6
 Material Group: Plastic
 Width [mm]: 9.5
 Weight: 0.23g
 Conformities:



You can find all information on the web on our article detail page

[Wire Saddle 4.3x3.0mm adhesive PA6.6 natural UL94-V2 E70062](#)



Would you like individual advice?

We look forward to your email to products@ettinger.de.

Subject to change and errors.