

Article datasheet

## Coincell Retainer for 20mm cell Phosphorbronze,nickel-plated

Article-No.: 015.63.429

Manufacturer: Keystone Electronics

Manufacturer article-no.: 3023



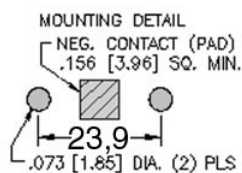
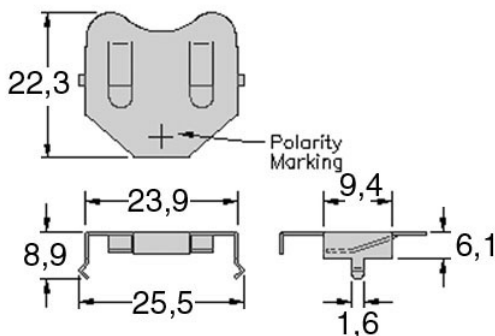
Image may be similar

Battery Type: Cell Dia. 20mm  
 Cell diameter [mm]: Ø 20.0  
 Finish: Nickel-Plated, 3 µm, E1E  
 Height [mm]: 6.1  
 Material: Phosphor Bronze  
 Material Group: Phosphor Bronze  
 Model: PCB Mounting Connection  
 No. Cells: 1  
 Weight: 0.99g  
 Conformities:



You can find all information on the web on our article detail page

[Coincell Retainer for 20mm cell Phosphorbronze,nickel-plated](#)



Would you like individual advice?

We look forward to your email to [products@ettinger.de](mailto:products@ettinger.de).

Subject to change and errors.