

Article datasheet

## Diecast Aluminum Enclosures 1590 / IP 54 / 119.5 x 52 x 187.5 mm

Article-No.: 097.05.850

Manufacturer: Hammond

Manufacturer article-no.: 1590DBK

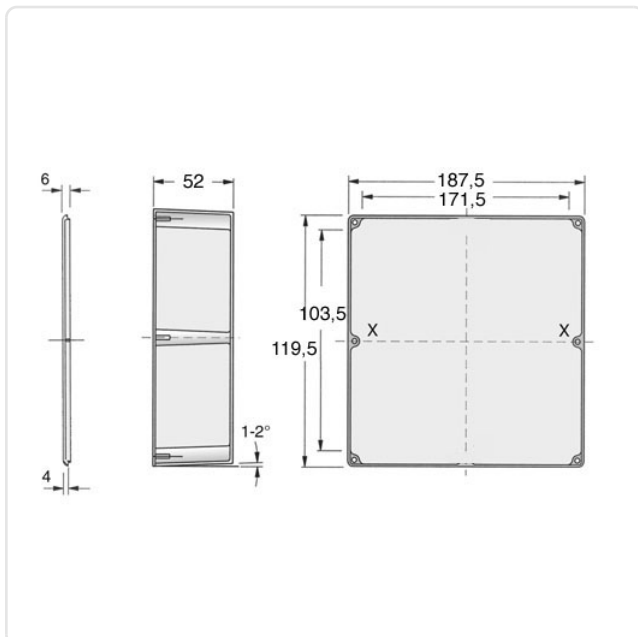


Image may be similar

Color: Black  
 Height [mm]: 52  
 Length [mm]: 187.5  
 Material: Aluminum  
 Material Group: Aluminum  
 Protection Code: IP54  
 Width [mm]: 119.5  
 Conformities:



You can find all information on the web on our article detail page  
[Diecast Aluminum Enclosures 1590 / IP 54 / 119.5 x 52 x 187.5 mm](#)



Would you like individual advice?

We look forward to your email to [products@ettinger.de](mailto:products@ettinger.de).

Subject to change and errors.