

Article datasheet

Insulation sleeve $\varnothing 3.1/3.9 \times 4.7$ mm Polyamid 4.6 black/UL94-V0/+163°C

Article-No.: 070.83.234

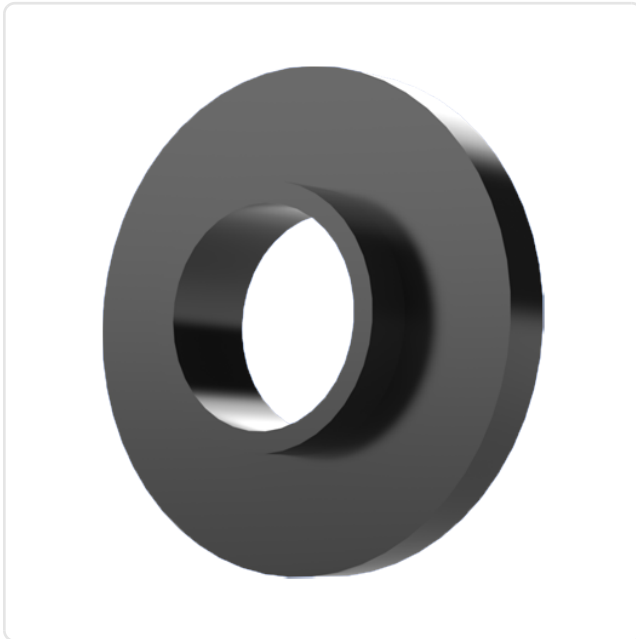
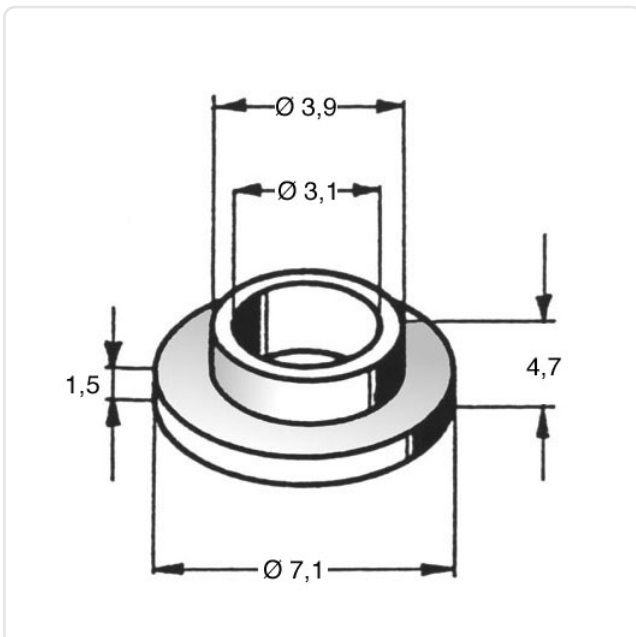


Image may be similar

Color: Black
 Flammability Class: UL94-V0
 Height [mm]: 4.7
 Inner Diameter [mm]: 3.1
 Lug Diameter [mm]: 3.9
 Material: PA 4.6 GF
 Material Group: Plastic
 Model: With Low Lug
 Outer Diameter [mm]: 7.1
 Weight: 0.11g
 Conformities:



You can find all information on the web on our article detail page
[Insulation sleeve \$\varnothing 3.1/3.9 \times 4.7\$ mm Polyamid 4.6 black/UL94-V0/+163°C](#)



Would you like individual advice?

We look forward to your email to products@ettinger.de.

Subject to change and errors.