

Article datasheet

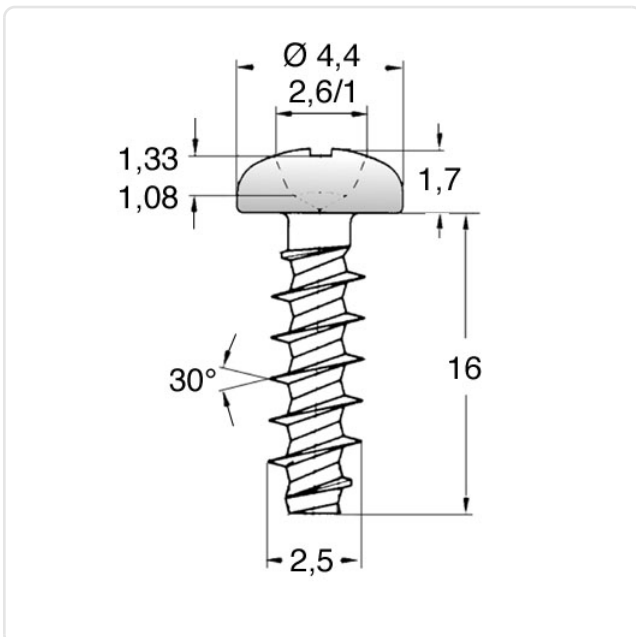
Self-Tapping Screw for Plastic 2.5x16 PT Galvanized Q&T Steel Pozi Pan Head

Article-No.: 001.97.261



Image may be similar

Actuator Size:	Pozidriv PZ1
Drive Type:	Cross Recess / Pozidriv-Z
Finish:	Galvanized, Blue, 5 µm, A2K
Head Diameter [mm]:	4.4
Head Height [mm]:	1.7
Head Shape:	Pan Head
Length [mm]:	16
Material:	Q&T Steel
Material Group:	Stahl
Thread Diameter [mm]:	Ø 2.5
Thread Type:	PT Thread
Weight:	0.46g
Conformities:	



You can find all information on the web on our article detail page

[Self-Tapping Screw for Plastic 2.5x16 PT Galvanized Q&T Steel Pozi Pan Head](#)

Would you like individual advice?

We look forward to your email to products@ettinger.de.

Subject to change and errors.