



Article datasheet

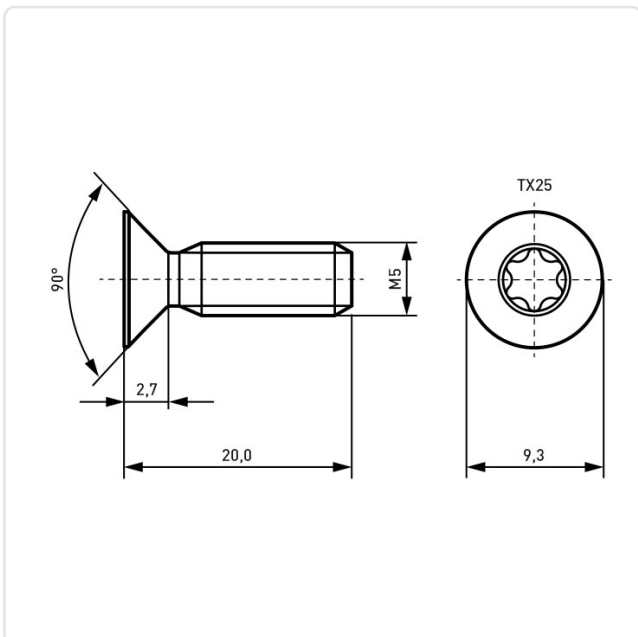
## Countersunk Screw ISO14581 M5x20 A2 Plain Stainless Steel Torx

Article-No.: 001.55.572



Image may be similar

Actuator Size:	Torx T25
DIN/ISO:	ISO14581
Drive Type:	TORX
Finish:	Plain
Head Diameter [mm]:	9.3
Head Height [mm]:	2.7
Head Shape:	Countersunk Head
Length [mm]:	20
Material:	Stainless Steel AISI 304 / A2
Material Group:	Stahl rostfrei
Thread Size:	M5
Weight:	2.7g
Conformities:	 



You can find all information on the web on our article detail page

[Countersunk Screw ISO14581 M5x20 A2 Plain Stainless Steel Torx](#)

Would you like individual advice?

We look forward to your email to [products@ettinger.de](mailto:products@ettinger.de).

Subject to change and errors.